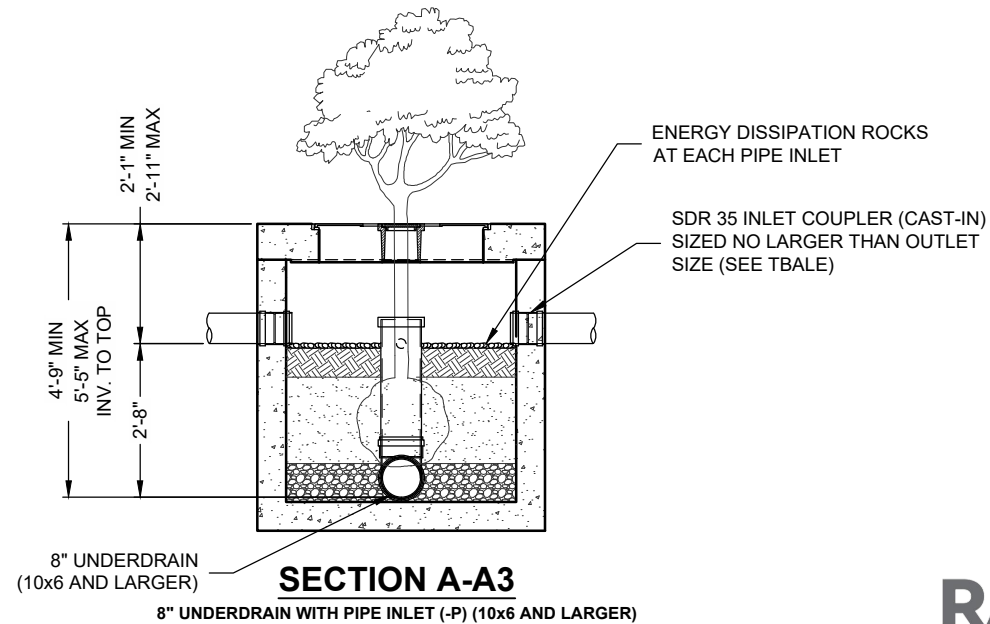
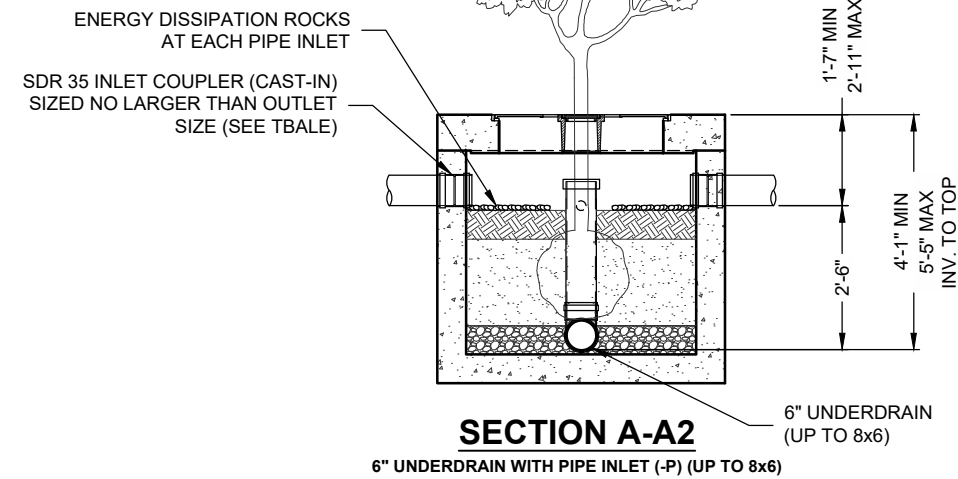
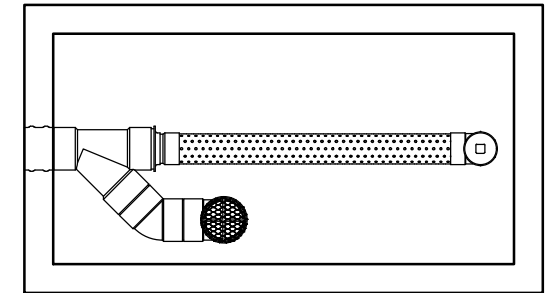
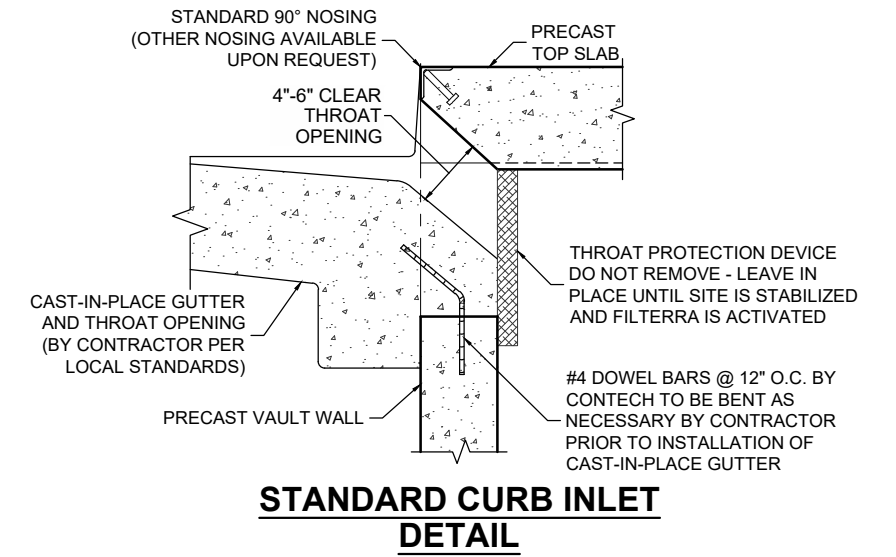
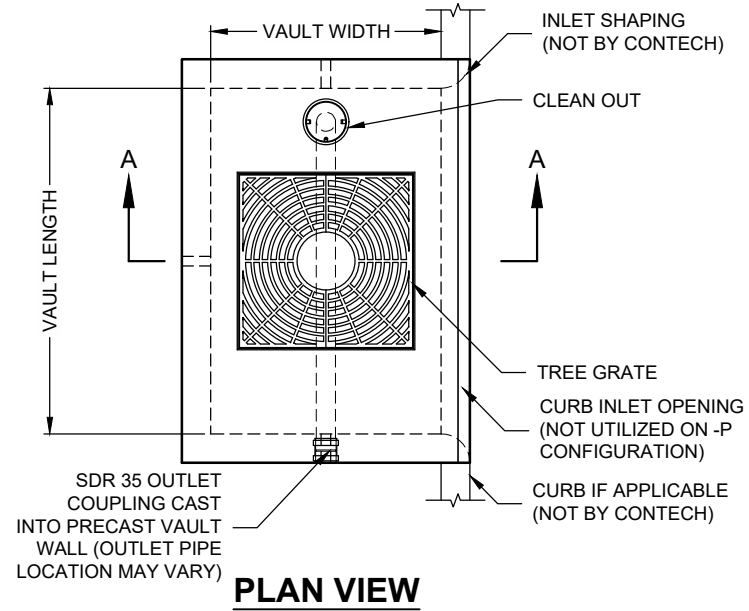
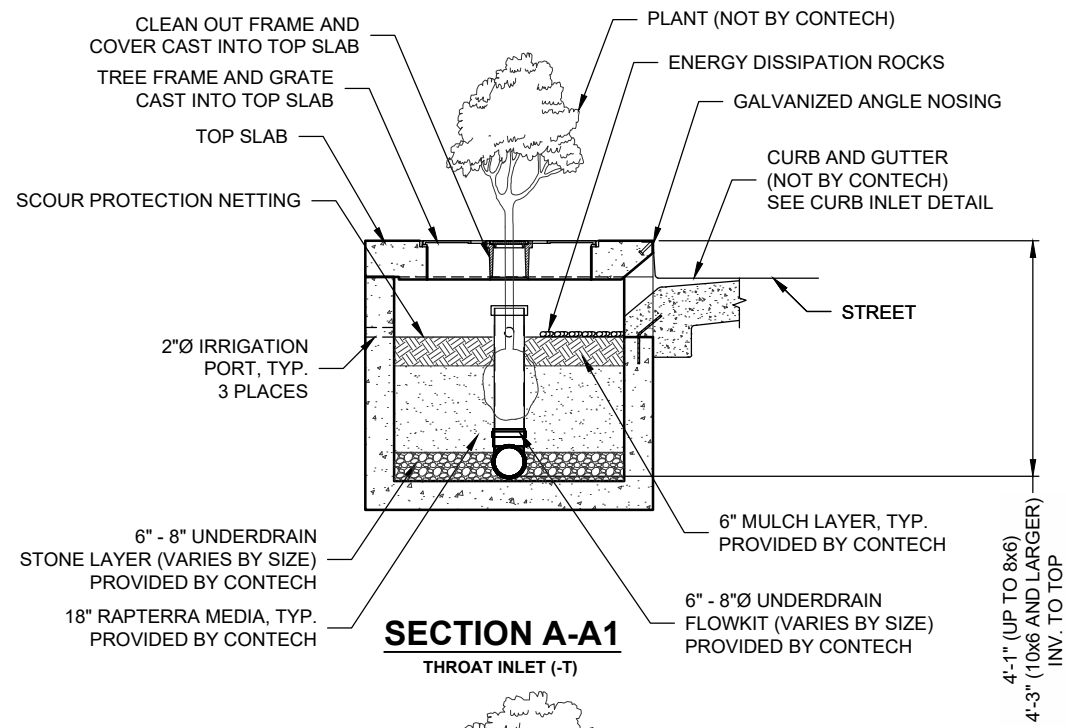


I:\QUIKRETE\COMMON\COMMONSTORMWATER TICKETS IN PROCESS\BCHSBAUM_COMPLETED\CREATE RAPTERRA STANDARD DETAILS\RAPTERRA INLINE CONFIG DTL.DWG 4/23/2026 9:01 AM



RTI CONFIGURATION (OPTIONS: THROAT INLET "-T", PIPE INLET "-P")								
VAULT SIZE (L x W)	EFFECTIVE FILTRATION TREATMENT AREA (SF)	MTFR (cfs)	LONG SIDE THROAT OR PIPE INLET DESIG.	SHORT SIDE THROAT DESIG.	UNDERDRAIN (UD) SIZE	BYPASS OVERFLOW /OUTLET SIZE	BYPASS CAPACITY (cfs)	TREE GRATE QTY. & SIZE
4x4	15.79	0.344	RTI0404		6" SDR 35	6" SDR 35	0.68	(1) 3' x 3'
6x4	23.79	0.518	RTI0604	RTI0406	6" SDR 35	6" SDR 35	1.03	(1) 3' x 3'
8x4	31.40	0.684	RTI0804	RTI0408	6" SDR 35	8" SDR 35	1.36	(1) 3' x 3'
7.83x4.5	34.64	0.755	RTI078045	RTI045078	6" SDR 35	8" SDR 35	1.50	(1) 3' x 3'
6x6	35.40	0.771	RTI0606		6" SDR 35	8" SDR 35	1.54	(1) 3' x 3'
8x6	47.40	1.033	RTI0806	RTI0608	6" SDR 35	8" SDR 35	2.06	(1) 4' x 4'
10x6	59.01	1.286	RTI1006	RTI0610	8" SDR 35	10" SDR 35	2.56	(1) 4' x 4'
12x6	71.01	1.547	RTI1206	RTI0612	8" SDR 35	10" SDR 35	3.08	(2) 4' x 4'
13x7	90.01	1.961	RTI1307	RTI0713	8" SDR 35	10" SDR 35	3.90	(2) 4' x 4'
14x8	110.38	2.405	RTI1408†	N/A	8" SDR 35	12" SDR 35	4.79	(2) 4' x 4'
16x8	126.38	2.754	RTI1608†	N/A	8" SDR 35	12" SDR 35	5.48	(2) 4' x 4'

INTERNAL PIPE CONFIGURATION MAY VARY DEPENDING ON VAULT SIZE

† UTILIZES (2) CURB THROAT OPENINGS WITH MIN 6" SPACE FOR -T CONFIGURATION



The design and information shown on this drawing is provided as a service to the project owner, engineer and contractor by Contech Engineered Solutions LLC or one of its affiliated companies ("Contech"). Neither this drawing, nor any part thereof, may be used, reproduced or modified in any manner without the prior written consent of Contech. Failure to comply is done at the user's own risk and Contech expressly disclaims any liability or responsibility for such use. If discrepancies between the supplied information upon which the drawing is based and actual field conditions are encountered as site work progresses, these discrepancies must be reported to Contech immediately for re-evaluation of the design. Contech accepts no liability for designs based on missing, incomplete or inaccurate information supplied by others.

CONTECH
ENGINEERED SOLUTIONS
A QUIKRETE COMPANY

9100 Centre Pointe Dr., Suite 400, West Chester, OH 45069
800-338-1122 513-645-7000 513-645-7993 FAX

**RAPTERRA INLINE (RTI)
VAULT CONFIGURATION DETAIL**