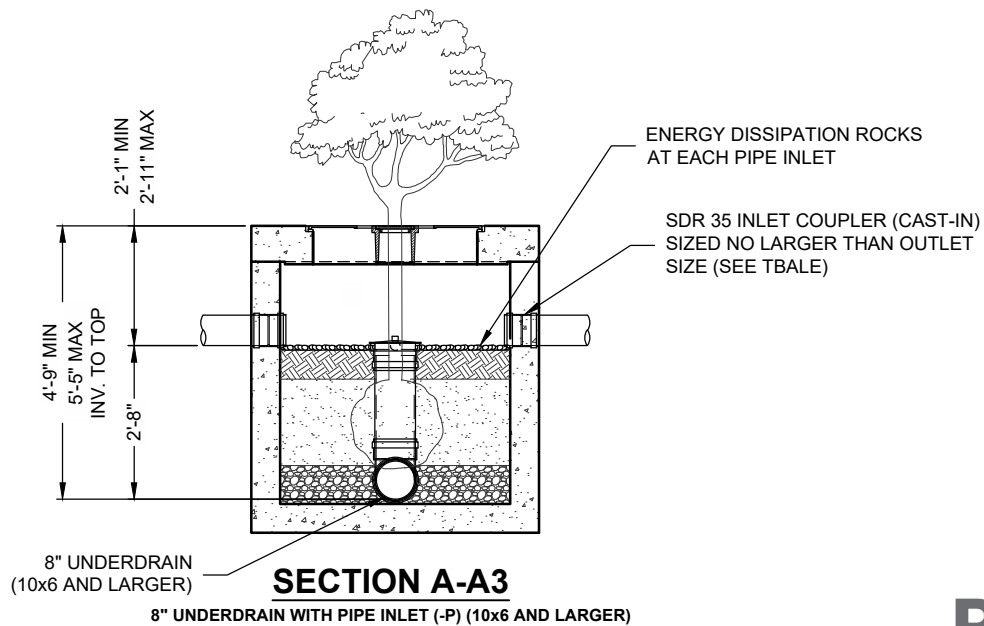
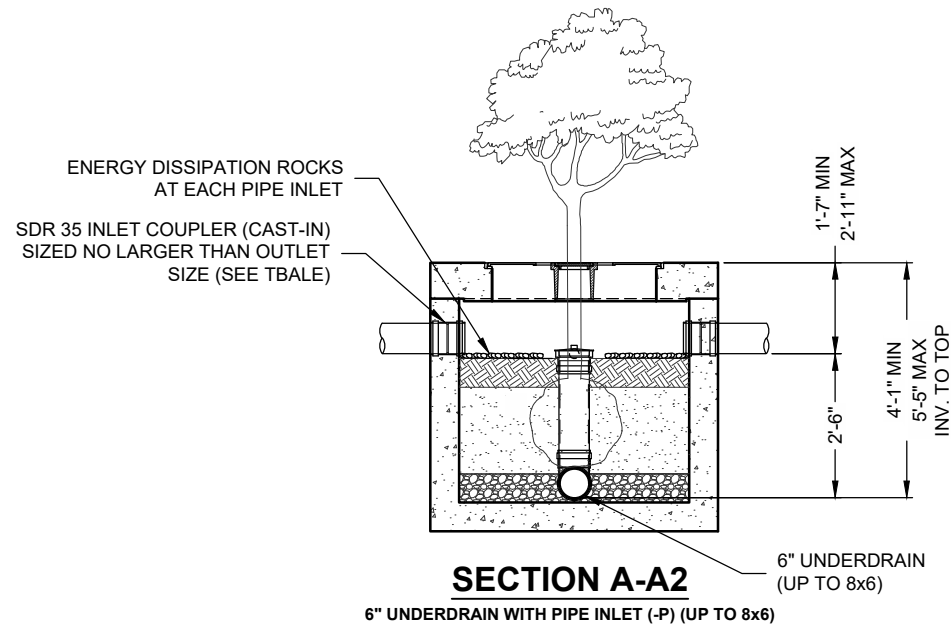
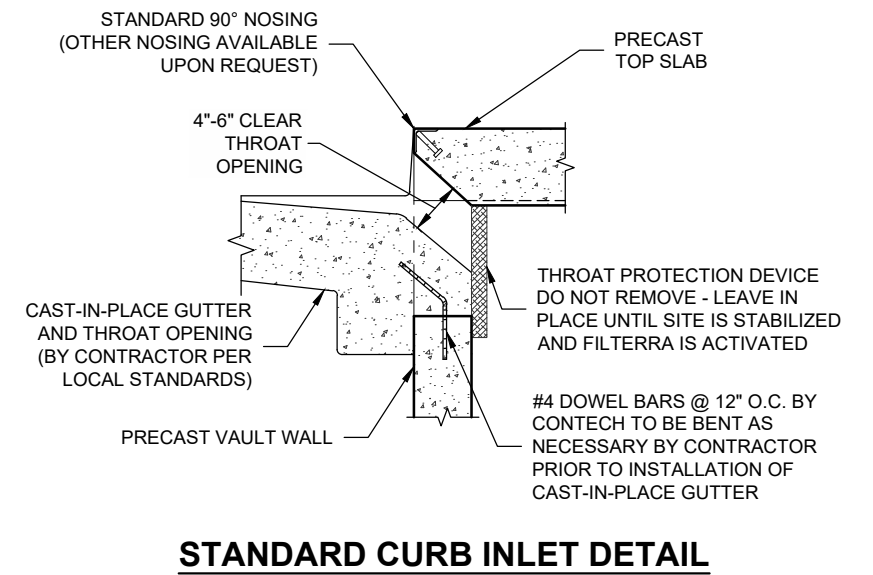
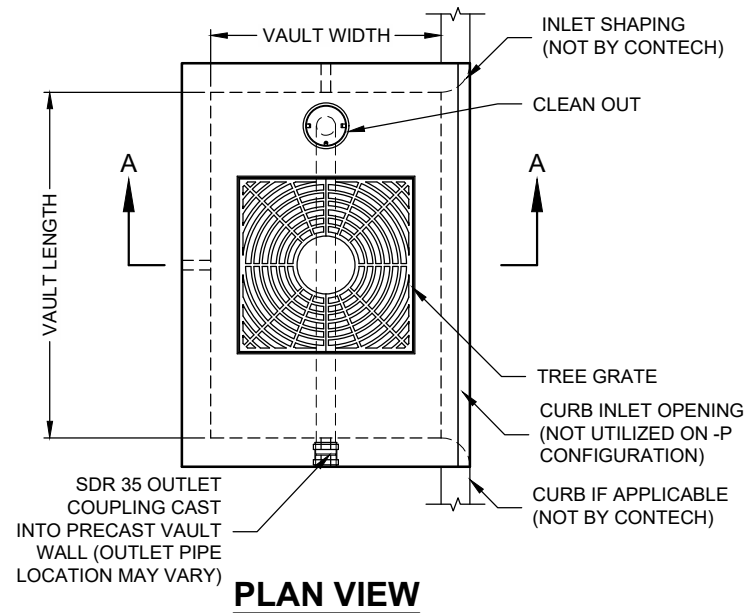
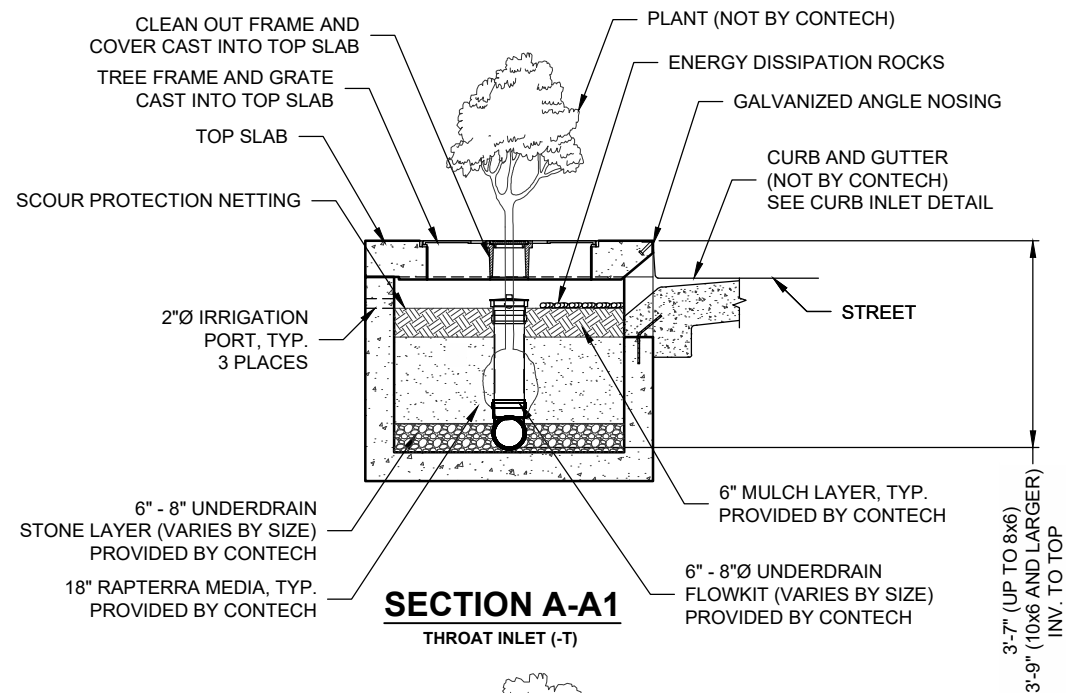


I:\QUIKRETE\COMMON\COMMONSTORMWATER TICKETS IN PROCESS\BUSHBAUM\CREATE RAPTERRA STANDARD DETAILS\RAPTERRA OFFLINE CONFIG DTL.DWG 2/24/2026 2:36 PM



RTO CONFIGURATION (OPTIONS: THROAT INLET "-T", PIPE INLET "-P")							
VAULT SIZE (LxW)	EFFECTIVE FILTRATION TREATMENT AREA (SF)	MTFR (CFS)	LONG SIDE THROAT OR PIPE INLET DESIG.	SHORT SIDE THROAT DESIG.	UNDERDRAIN / CLEANOUT SIZE	OUTLET SIZE	TREE GRATE QTY. & SIZE
4x4	15.79	0.344	RTO0404		6" SDR 35	6" SDR 35	(1) 3' x 3'
6x4	23.79	0.518	RTO0604	RTO0406	6" SDR 35	6" SDR 35	(1) 3' x 3'
8x4	31.79	0.692	RTO0804	RTO0408	6" SDR 35	6" SDR 35	(1) 3' x 3'
7.83x4.5	35.02	0.763	RTO078045	RTO045078	6" SDR 35	6" SDR 35	(1) 3' x 3'
6x6	35.79	0.779	RTO0606		6" SDR 35	6" SDR 35	(1) 3' x 3'
8x6	47.79	1.041	RTO0806	RTO0608	6" SDR 35	6" SDR 35	(1) 4' x 4'
10x6	59.62	1.299	RTO1006	RTO0610	8" SDR 35	8" SDR 35	(1) 4' x 4'
12x6	71.62	1.560	RTO1206	RTO0612	8" SDR 35	8" SDR 35	(2) 4' x 4'
13x7	90.62	1.974	RTO1307	RTO0713	8" SDR 35	8" SDR 35	(2) 4' x 4'
14x8	111.23	2.423	RTO1408†	N/A	8" SDR 35	10" SDR 35	(2) 4' x 4'
16x8	127.23	2.771	RTO1608†	N/A	8" SDR 35	10" SDR 35	(2) 4' x 4'
18x8	143.23	3.120	RTO1808†	N/A	8" SDR 35	10" SDR 35	(2) 4' x 4'
20x8	159.23	3.468	RTO2008†	N/A	8" SDR 35	12" SDR 35	(3) 4' x 4'
22x8	175.23	3.817	RTO2208†	N/A	8" SDR 35	12" SDR 35	(3) 4' x 4'

INTERNAL PIPE CONFIGURATION MAY VARY DEPENDING ON VAULT SIZE (LARGER VAULTS USE 2 UNDERDRAINS WITH A LARGER OUTLET PIPE)

† UTILIZES (2) CURB THROAT OPENINGS WITH MIN 6" SPACE FOR -T CONFIGURATION



The design and information shown on this drawing is provided as a service to the project owner, engineer and contractor by Contech Engineered Solutions LLC or one of its affiliated companies ("Contech"). Neither this drawing, nor any part thereof, may be used, reproduced or modified in any manner without the prior written consent of Contech. Failure to comply is done at the user's own risk and Contech expressly disclaims any liability or responsibility for such use. If discrepancies between the supplied information upon which the drawing is based and actual field conditions are encountered as site work progresses, these discrepancies must be reported to Contech immediately for re-evaluation of the design. Contech accepts no liability for designs based on missing, incomplete or inaccurate information supplied by others.

**CONTECH**  
ENGINEERED SOLUTIONS  
A QUIKRETE COMPANY

9100 Centre Pointe Dr., Suite 400, West Chester, OH 45069  
800-338-1122 513-645-7000 513-645-7993 FAX

**RAPTERRA OFFLINE (RTO)  
VAULT CONFIGURATION DETAIL**