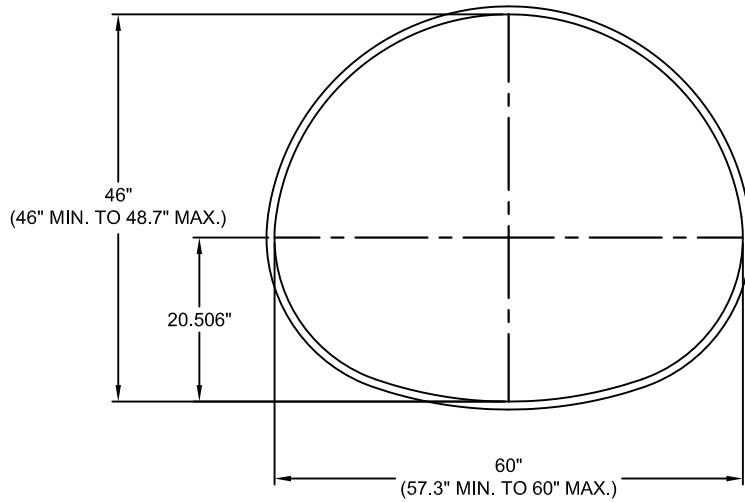


H: DRAINAGE PLATE AND SPECIALTY ENGINEERING PRODUCTS \CIMP\STANDARD DETAILS\WORKING\SHAPE FILES\CMP 054X1 PA.DWG 11/30/2016 9:57 AM



NOMINAL 60" X 46" (54" ROUND EQUIVALENT)

AREA= 15.6 SF

NOTES:

1. ALL DIMENSIONS ARE TO THE INSIDE CORRUGATION CREST UNLESS NOTED OTHERWISE.
2. ALL DIMENSIONS ARE SUBJECT TO MANUFACTURING TOLERANCES.
3. RISE AND SPAN DIMENSIONS ACCOUNT FOR SPECIFICATION TOLERANCES FROM NOMINAL DIMENSIONS.  
(AASHTO M 36 STEEL, M 196 ALUMINUM, ASTM A 760 STEEL, B 745 ALUMINUM).

CMP 054X1 PA

**CONTECH**  
ENGINEERED SOLUTIONS LLC  
www.ContechES.com

9025 Centre Pointe Dr., Suite 400, West Chester, OH 45069  
800-338-1122 513-645-7000 513-645-7993 FAX

**CONTECH**  
PIPE SOLUTIONS

DATE DRAWN: 6/16/16

REV #:

REV DATE:

SCALE: N.T.S.

DRAWING TYPE:

SHAPE DRAWING  
3" x 1" OR 5" x 1" CMP PIPE ARCH  
54" EQ DIA 60"x46"