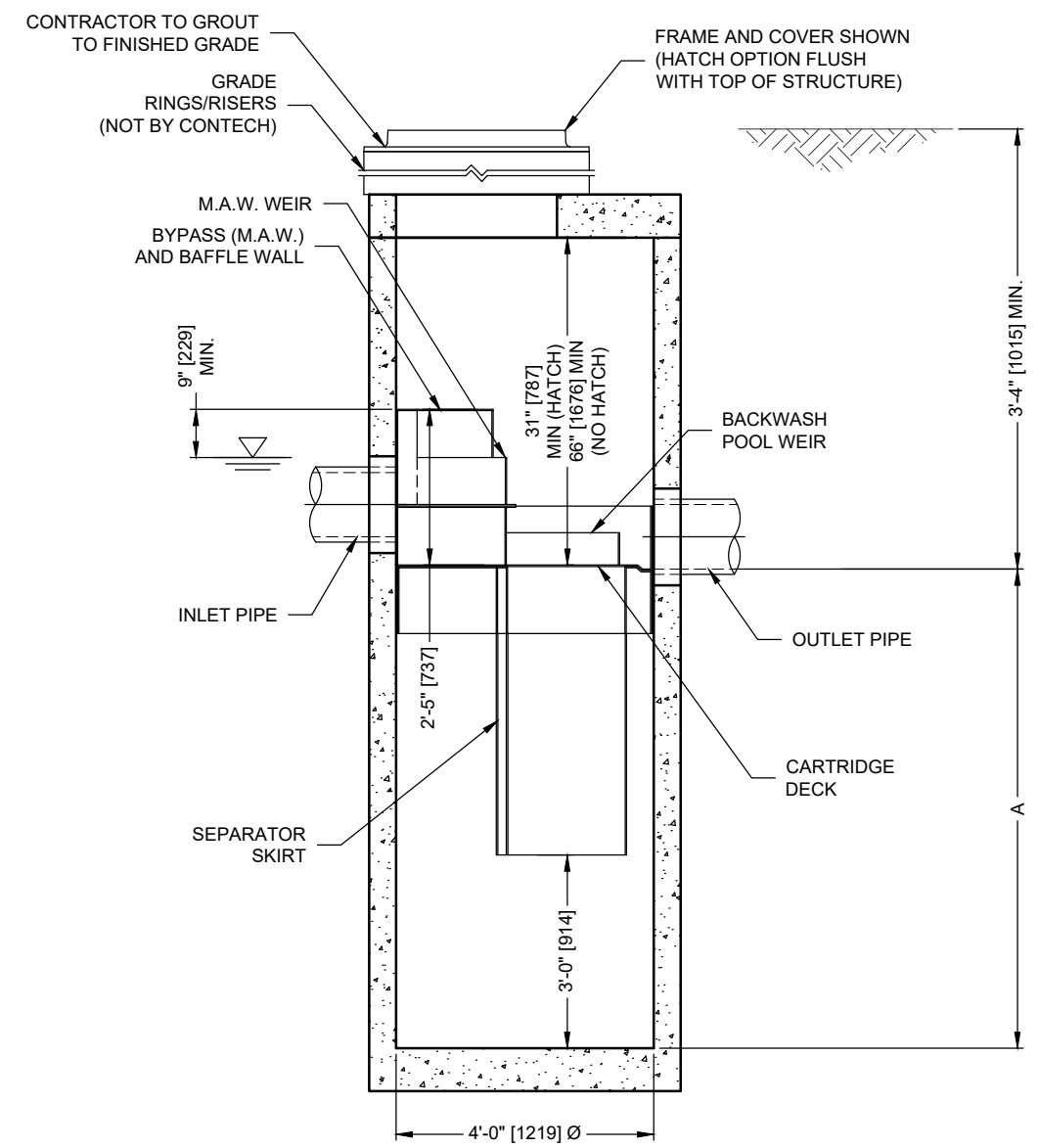


**PLAN VIEW**

TOP SLAB NOT SHOWN

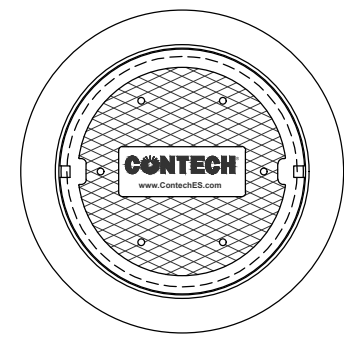


**SECTION A-A**

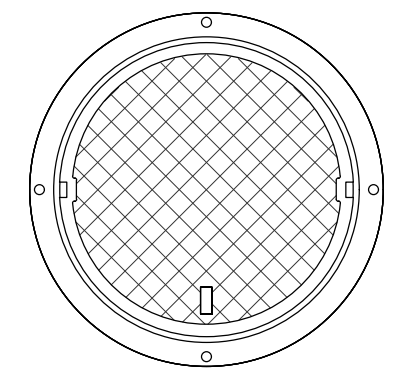
**JELLYFISH DESIGN NOTES**

JELLYFISH TREATMENT CAPACITY IS A FUNCTION OF THE CARTRIDGE SIZE, TYPE AND QUANTITY. THE STANDARD MANHOLE STYLE IS SHOWN. THE 48" [1219 mm] Ø MANHOLE JELLYFISH PEAK TREATMENT CAPACITY IS 0.45 cfs [12.74 L/s] AND MAXIMUM BYPASS CAPACITY IS 2.50 cfs [70.79 L/s]. IF THE SITE CONDITIONS EXCEED THE BYPASS CAPACITY OF THE SYSTEM, AN UPSTREAM DIVERSION STRUCTURE IS REQUIRED. PEAK CONVEYANCE CAPACITY TO BE DETERMINED BY ENGINEER OF RECORD.

| CARTRIDGE SIZE                                   | 54                        | 40                         | 27                         | 15                         |
|--|---------------------------|----------------------------|----------------------------|----------------------------|
| FLOW RATE, HIGH-FLO / DRAINDOWN (cfs [L/s])      | 0.18 / 0.09 [5.10 / 2.55] | 0.13 / 0.065 [3.68 / 1.84] | 0.09 / 0.045 [2.55 / 1.28] | 0.05 / 0.025 [1.42 / 0.71] |
| MAXIMUM CARTRIDGE QUANTITY HIGH-FLO / DRAINDOWN  | 2 / 1                     |                            |                            |                            |
| PEAK TREATMENT CAPACITY (cfs [L/s])              | 0.45 [12.74]              | 0.33 [9.34]                | 0.22 [6.23]                | 0.12 [3.40]                |
| OUTLET INVERT TO STRUCTURE INVERT (A) (ft. [mm]) | 7.42 [188]                | 6.25 [159]                 | 5.17 [131]                 | 4.17 [106]                 |



**FRAME AND COVER**  
(DIAMETER VARIES)  
NOT TO SCALE



**HATCH**  
(36" Ø CAST INTO SLAB)  
NOT TO SCALE

**SITE SPECIFIC DATA REQUIREMENTS**

|   |                          |
|---|--------------------------|
| STRUCTURE ID                            |                          |
| WATER QUALITY FLOW RATE (cfs [L/s])     |                          |
| PEAK FLOW RATE (cfs [L/s])              |                          |
| RETURN PERIOD OF PEAK FLOW (yrs)        |                          |
| NUMBER OF CARTRIDGES REQUIRED (HF / DD) |                          |
| CARTRIDGE SIZE (54, 40, 27, 15)         |                          |
| RIM ELEVATION                           |                          |
| PIPE DATA:                              | INVERT MATERIAL DIAMETER |
| INLET PIPE 1                            |                          |
| INLET PIPE 2                            |                          |
| OUTLET PIPE                             |                          |
| NOTES / SPECIAL REQUIREMENTS:           |                          |

**GENERAL NOTES:**

- CONTECH TO PROVIDE ALL MATERIALS UNLESS NOTED OTHERWISE.
- FOR SITE SPECIFIC DRAWINGS WITH DETAILED STRUCTURE DIMENSIONS AND WEIGHT, PLEASE CONTACT YOUR CONTECH ENGINEERED SOLUTIONS REPRESENTATIVE. [www.ContechES.com](http://www.ContechES.com)
- JELLYFISH WATER QUALITY STRUCTURE SHALL BE IN ACCORDANCE WITH ALL DESIGN DATA AND INFORMATION CONTAINED IN THIS DRAWING. CONTRACTOR TO CONFIRM STRUCTURE MEETS REQUIREMENTS OF PROJECT.
- STRUCTURE SHALL MEET AASHTO HS-20 OR PER APPROVING JURISDICTION REQUIREMENTS, WHICHEVER IS MORE STRINGENT, ASSUMING EARTH COVER OF 0' - 2', AND GROUNDWATER ELEVATION AT, OR BELOW, THE OUTLET PIPE INVERT ELEVATION. ENGINEER OF RECORD TO CONFIRM ACTUAL GROUNDWATER ELEVATION. CASTINGS SHALL MEET AASHTO M306 LOAD RATING AND BE CAST WITH THE CONTECH LOGO WHEN POSSIBLE.
- STRUCTURE SHALL BE PRECAST CONCRETE CONFORMING TO ASTM C478 AND AASHTO LOAD FACTOR DESIGN METHOD.
- INLET HGL NOT TO EXCEED THE TOP OF THE M.A.W. DURING THE PEAK DESIGN STORM
- MINIMUM INLET INVERT RECOMMENDED 6" ABOVE OUTLET PIPE INVERT.
- OUTLET PIPE INVERT IS EQUAL TO THE CARTRIDGE DECK ELEVATION.
- NO PRODUCT SUBSTITUTIONS SHALL BE ACCEPTED UNLESS SUBMITTED 10 DAYS PRIOR TO PROJECT BID DATE, OR AS DIRECTED BY THE ENGINEER OF RECORD.
- ALTERNATE UNITS ARE SHOWN IN [mm].

**INSTALLATION NOTES**

- ANY SUB-BASE, BACKFILL DEPTH, AND/OR ANTI-FLOTATION PROVISIONS ARE SITE-SPECIFIC DESIGN CONSIDERATIONS AND SHALL BE SPECIFIED BY ENGINEER OF RECORD.
- CONTRACTOR TO PROVIDE EQUIPMENT WITH SUFFICIENT LIFTING AND REACH CAPACITY TO LIFT AND SET THE STRUCTURE (LIFTING CLUTCHES PROVIDED)
- CONTRACTOR WILL INSTALL AND LEVEL THE STRUCTURE, SEALING THE JOINTS, LINE ENTRY AND EXIT POINTS.
- WHEN ACTIVATED PRIOR TO SITE STABILIZATION, CONTRACTOR TO PROTECT CARTRIDGES FROM CONSTRUCTION-RELATED EROSION RUNOFF.
- CARTRIDGE INSTALLATION, BY CONTECH, SHALL OCCUR ACCORDING TO THE PROVISIONS IN THE ACTIVATION CHECKLIST AND THE QUOTED SCOPE OF WORK. CONTACT CONTECH TO COORDINATE CARTRIDGE INSTALLATION AFTER SITE STABILIZATION AT (800) 338-1122.



**CONTECH**  
ENGINEERED SOLUTIONS LLC  
[www.ContechES.com](http://www.ContechES.com)  
9100 Centre Pointe Dr., Suite 400, West Chester, OH 45069  
800-338-1122 513-645-7000 513-645-7993 FAX

JELLYFISH JF4  
ONLINE CONFIGURATION  
STANDARD DETAIL