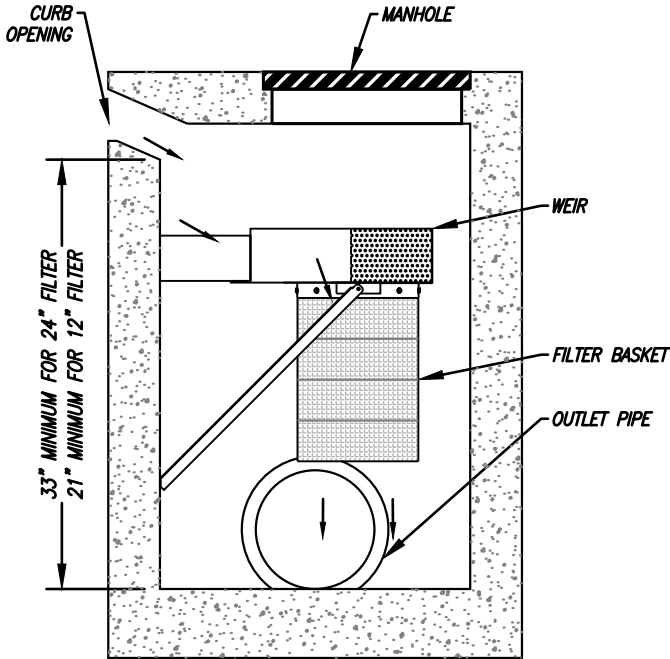
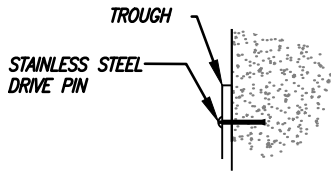


# BIO CLEAN FABRIC FILTER

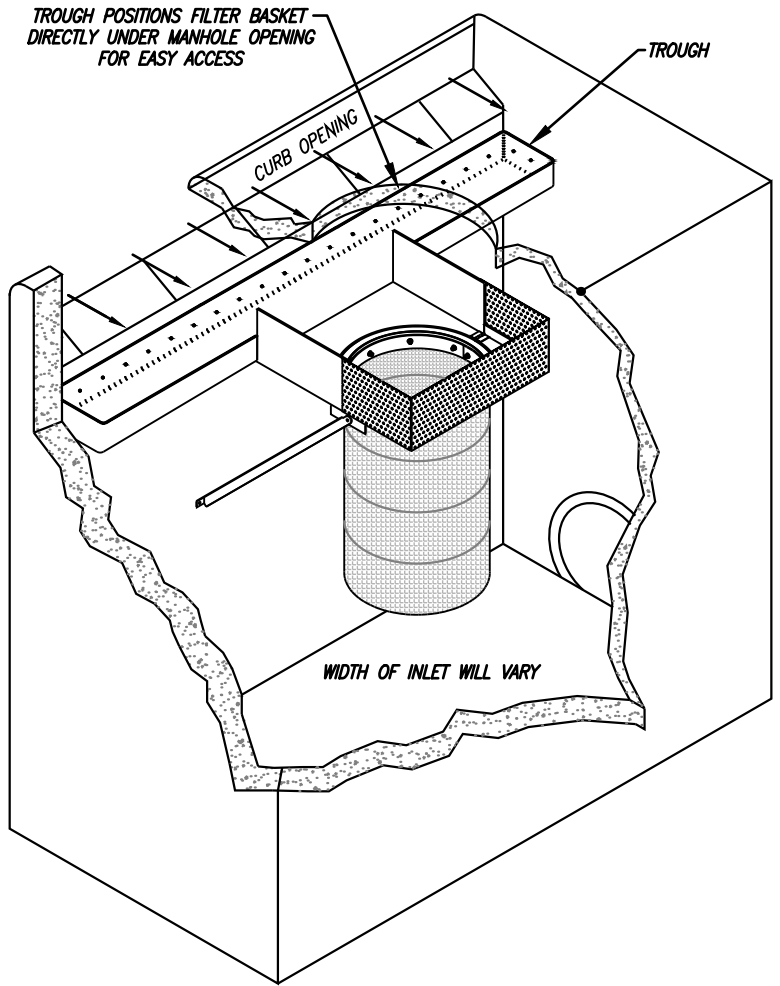
## FOR USE IN CURB INLETS



**PROFILE VIEW**



**MOUNTING DETAIL**



**CONFIGURATION DETAIL**

### INSTALLATION NOTES

1. TROUGH SYSTEM PROVIDES FOR ENTIRE COVERAGE OF INLET OPENING SO TO DIVERT ALL FLOW TO FILTER.
2. TROUGH SYSTEM TO BE MANUFACTURED FROM MARINE GRADE FIBERGLASS, GEL COATED FOR UV PROTECTION.
3. ALL HARDWARE, FLANGE, FRAME, SHALL BE STAINLESS STEEL.
4. OPTIONAL HYDROCARBON BOOM SHALL BE 2" DIAMETER.
5. FILTER IS LOCATED DIRECTLY UNDER THE MANHOLE FOR EASY REMOVAL AND MAINTENANCE.
6. LENGTH OF TROUGH CAN VARY FROM 2' TO 30'
7. OTHER STANDARD AND CUSTOM MODEL SIZES AVAILABLE – CONTACT CONTECH FOR MORE INFORMATION.
8. BYPASS IS FACILITATED VIA OVERFLOW OF THE TROUGH SYSTEM AND IS EQUAL TO THE CAPACITY OF THE CURB OPENING.
9. ADDITIONAL TREATMENT AND STORAGE CAPACITY CAN BE ACHIEVED BY UTILIZING MULTIPLE FILTER BASKETS.
10. STORAGE CAPACITY BASED ON BASKET HALF FULL.
11. CONCRETE STRUCTURES SOLD SEPARATELY.

NOT TO SCALE

### PERFORMANCE NOTES

1. GREATER THAN 80% TOTAL SUSPENDED SOLIDS (TSS) REMOVAL BASED ON THIRD PARTY INDEPENDENTLY OBSERVED FULL-SCALE TESTING.
2. LISTED TREATMENT FLOW RATE BASED UPON OBSERVED FULL SCALE HYDRAULIC FLOW TESTING AND UTILIZING A SAFETY FACTOR OF 2.
3. DOES NOT MEET CALIFORNIA FULL CAPTURE REQUIREMENTS.

MODEL #	TREATMENT FLOW RATE (CFS)	SOLIDS STORAGE CAPACITY (CF)
BIO-CURB-FABRIC-12	1.29	0.7
BIO-CURB-FABRIC-24	2.26	1.4

PROPRIETARY AND CONFIDENTIAL:

THE INFORMATION CONTAINED IN THIS DOCUMENT IS THE SOLE PROPERTY OF QUIKRETE AND ITS COMPANIES. THIS DOCUMENT, NOR ANY PART THEREOF, MAY BE USED, REPRODUCED OR MODIFIED IN ANY MANNER WITH OUT THE WRITTEN CONSENT OF QUIKRETE.

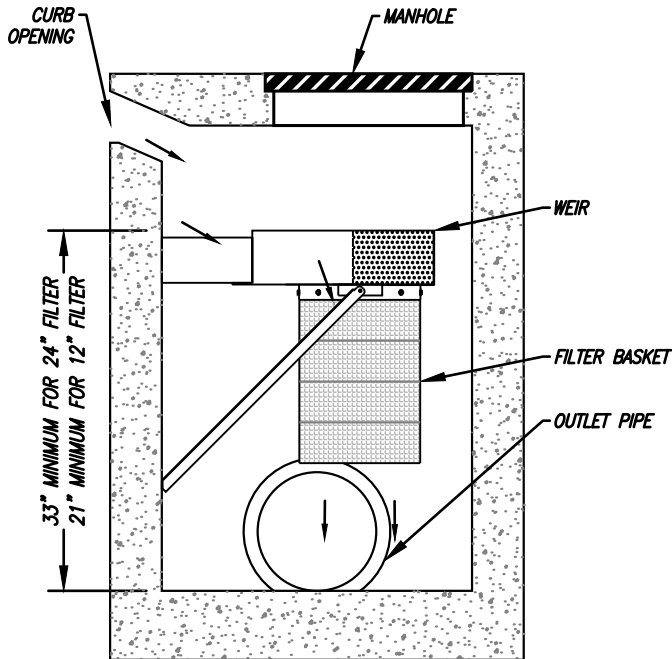


**CURB INLET FILTER  
FABRIC  
STANDARD DETAIL**

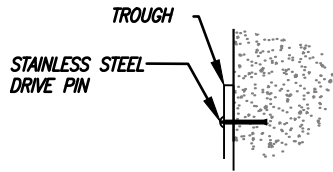
I:\STOR\WATER\COMPOS\59\_FILTER\_INSERT\40\_STANDARD\_DRAWINGS\CIF-FABRIC\FABRIC\_CURB\_INLET\_FILTER.DWG 9/19/2025 4:48 PM

# BIO CLEAN FABRIC FILTER

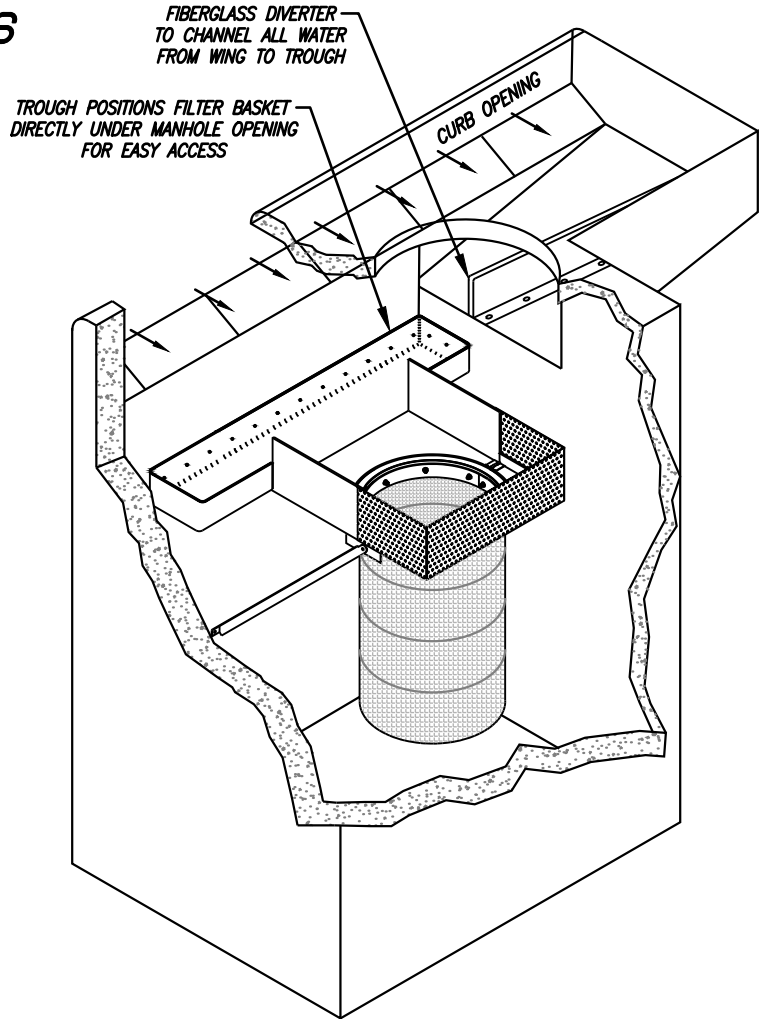
## FOR USE IN CURB INLETS w/WINGS



**PROFILE VIEW**



**MOUNTING DETAIL**



**CONFIGURATION DETAIL**

### INSTALLATION NOTES

1. TROUGH SYSTEM PROVIDES FOR ENTIRE COVERAGE OF INLET OPENING SO TO DIVERT ALL FLOW TO FILTER.
2. TROUGH SYSTEM TO BE MANUFACTURED FROM MARINE GRADE FIBERGLASS, GEL COATED FOR UV PROTECTION.
3. ALL HARDWARE, FLANGE, FRAME, SHALL BE STAINLESS STEEL.
4. OPTIONAL HYDROCARBON BOOM SHALL BE 2" DIAMETER.
5. FILTER IS LOCATED DIRECTLY UNDER THE MANHOLE FOR EASY REMOVAL AND MAINTENANCE.
6. LENGTH OF TROUGH CAN VARY FROM 2' TO 30'
7. OTHER STANDARD AND CUSTOM MODEL SIZES AVAILABLE – CONTACT CONTECH FOR MORE INFORMATION.
8. BYPASS IS FACILITATED VIA OVERFLOW OF THE TROUGH SYSTEM AND IS EQUAL TO THE CAPACITY OF THE CURB OPENING.
9. ADDITIONAL TREATMENT AND STORAGE CAPACITY CAN BE ACHIEVED BY UTILIZING MULTIPLE FILTER BASKETS.
10. STORAGE CAPACITY BASED ON BASKET HALF FULL.
11. CONCRETE STRUCTURES SOLD SEPARATELY.

NOT TO SCALE

### PERFORMANCE NOTES

1. GREATER THAN 80% TOTAL SUSPENDED SOLIDS (TSS) REMOVAL BASED ON THIRD PARTY INDEPENDENTLY OBSERVED FULL-SCALE TESTING.
2. LISTED TREATMENT FLOW RATE BASED UPON OBSERVED FULL SCALE HYDRAULIC FLOW TESTING AND UTILIZING A SAFETY FACTOR OF 2.
3. DOES NOT MEET CALIFORNIA FULL CAPTURE REQUIREMENTS.

MODEL #	TREATMENT FLOW RATE (CFS)	SOLIDS STORAGE CAPACITY (CF)
BIO-CURB-FABRIC-12	1.29	0.7
BIO-CURB-FABRIC-24	2.26	1.4

PROPRIETARY AND CONFIDENTIAL:

THE INFORMATION CONTAINED IN THIS DOCUMENT IS THE SOLE PROPERTY OF QUIKRETE AND ITS COMPANIES. THIS DOCUMENT, NOR ANY PART THEREOF, MAY BE USED, REPRODUCED OR MODIFIED IN ANY MANNER WITH OUT THE WRITTEN CONSENT OF QUIKRETE.

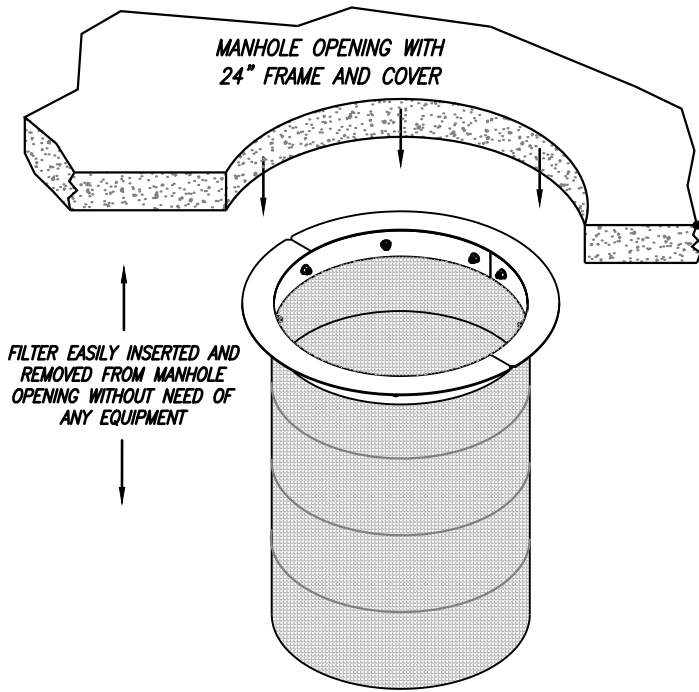


**CURB INLET FILTER  
FABRIC  
STANDARD DETAIL**

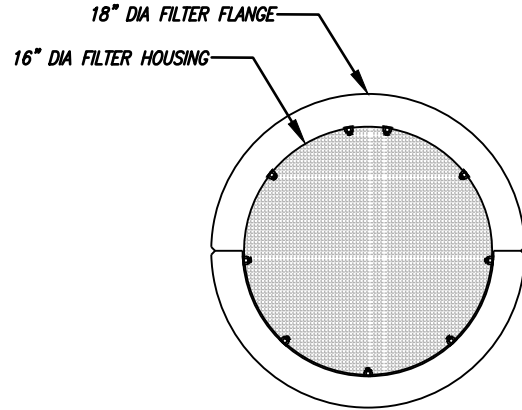
I:\STOR\WATER\COMPOS\59\_FILTER\_INSERT\40\_STANDARD\_DRAWINGS\CIF-FABRIC\FABRIC\_CURB\_INLET\_FILTER.DWG 2/24/2026 1:45 PM

# BIO CLEAN FABRIC FILTER

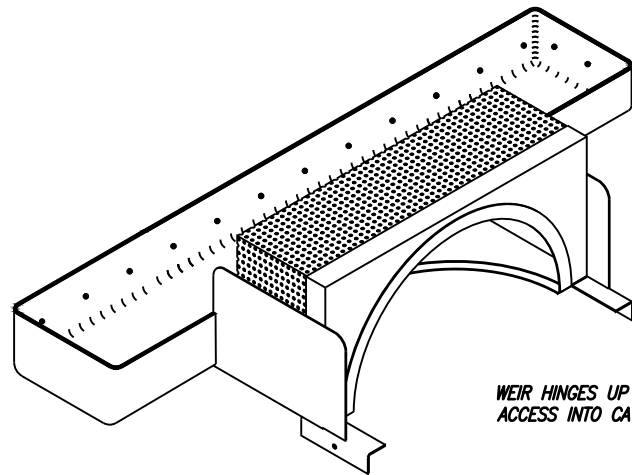
## FOR USE IN CURB INLETS



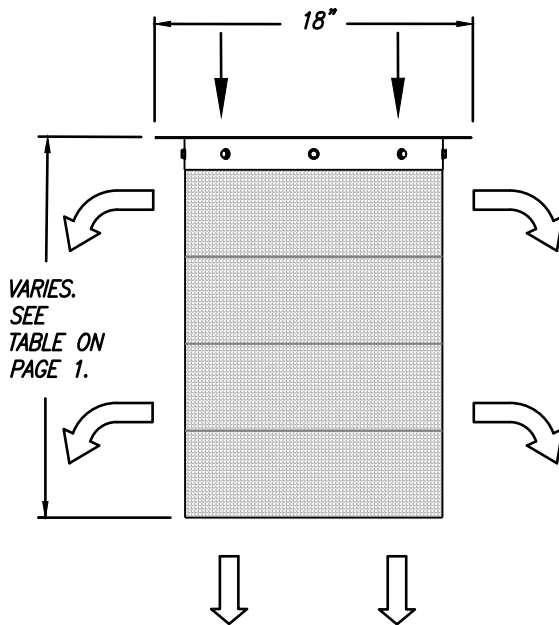
**INSTALLATION DETAIL**



**DETAIL OF DIAMETERS**



**WEIR DETAIL**



**FLOW PATH**

FLOW RATES - 24" TALL FABRIC FILTER	
FILTER TREATMENT FLOW RATE	2.26 CFS
FILTER SURFACE AREA = 9.77 SQ FT PER 24" TALL X 16"Ø BASKET, SAFETY FACTOR = 2	
LOADING RATE APPLIED = 207.29 GPM/SQ FT	
FILTER TREATMENT FLOW RATE = $9.77 \times 207.29 / 2 = 1,012.61 \text{ GPM} = 2.26 \text{ CFS}$	
*FILTER FLOW RATE CALCULATED BASED UPON INDEPENDENT PERFORMANCE TESTING USING A LOADING RATE OF 207.29 GPM/SQ FT FILTER SURFACE AREA.	
SEE PAGE 1 FOR NOTES	

NOT TO SCALE

PROPRIETARY AND CONFIDENTIAL:

THE INFORMATION CONTAINED IN THIS DOCUMENT IS THE SOLE PROPERTY OF QUIKRETE AND ITS COMPANIES. THIS DOCUMENT, NOR ANY PART THEREOF, MAY BE USED, REPRODUCED OR MODIFIED IN ANY MANNER WITHOUT THE WRITTEN CONSENT OF QUIKRETE.

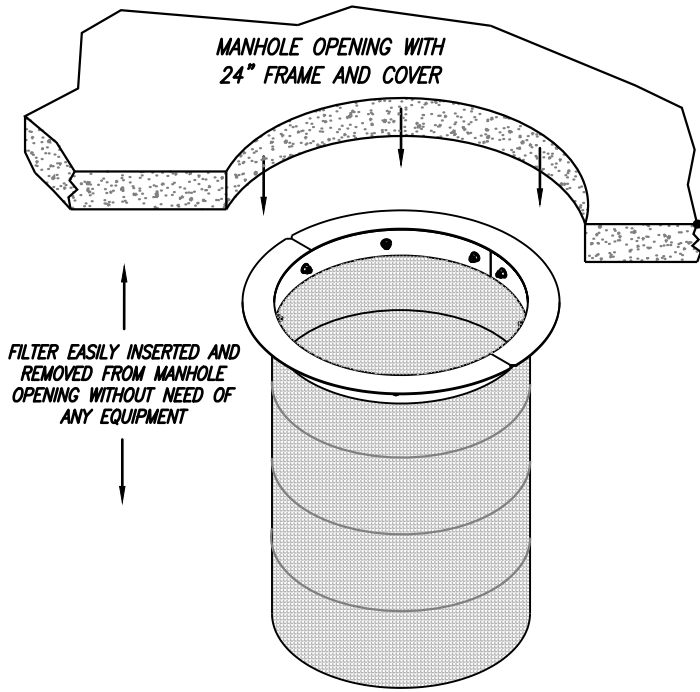


**CURB INLET FILTER  
FABRIC  
STANDARD DETAIL**

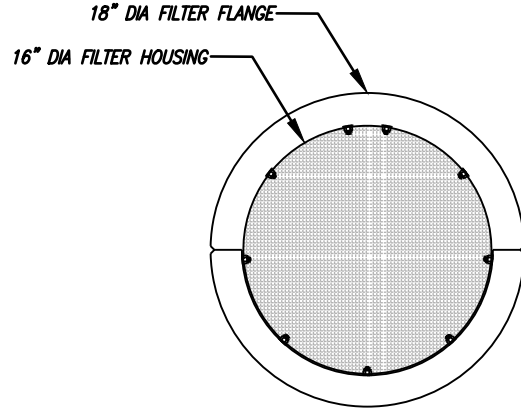
I:\STOR\WATER\COMPOSI\59 FILTER INSERT\40 STANDARD DRAWINGS\CIF-FABRIC\FABRIC CURB INLET FILTER.DWG 7/9/2025 2:35 PM

# BIO CLEAN FABRIC FILTER

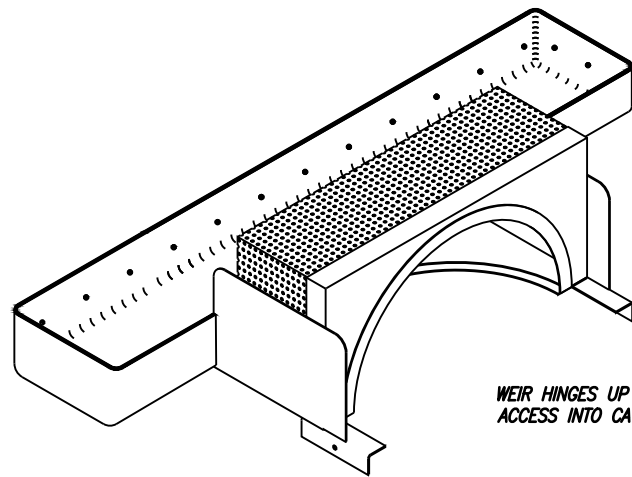
## FOR USE IN CURB INLETS



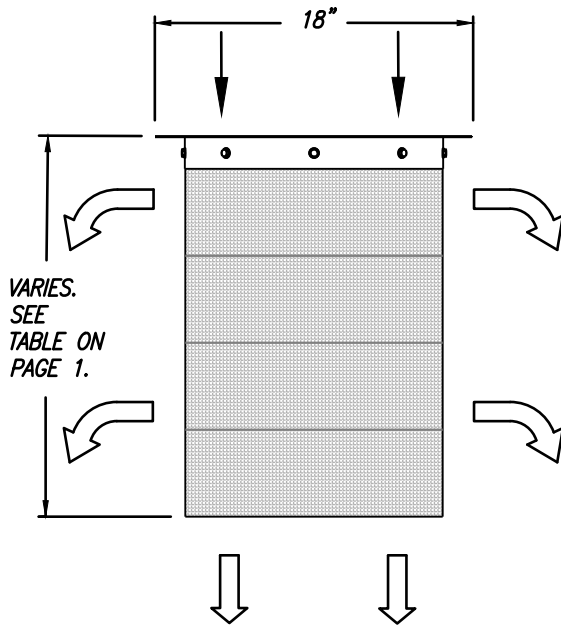
**INSTALLATION DETAIL**



**DETAIL OF DIAMETERS**



**WEIR DETAIL**



**FLOW PATH**

FLOW RATES - 12" TALL FABRIC FILTER	
FILTER TREATMENT FLOW RATE	1.29 CFS
FILTER SURFACE AREA = 5.59 SQ FT PER 12" TALL X 16"Ø BASKET, SAFETY FACTOR = 2	
LOADING RATE APPLIED = 207.29 GPM/SQ FT	
FILTER TREATMENT FLOW RATE = $5.59 \times 207.29 / 2 = 579.38 \text{ GPM} = 1.29 \text{ CFS}$	
*FILTER FLOW RATE CALCULATED BASED UPON INDEPENDENT PERFORMANCE TESTING USING A LOADING RATE OF 207.29 GPM/SQ FT FILTER SURFACE AREA.	
SEE PAGE 1 FOR NOTES	

NOT TO SCALE

PROPRIETARY AND CONFIDENTIAL:

THE INFORMATION CONTAINED IN THIS DOCUMENT IS THE SOLE PROPERTY OF QUIKRETE AND ITS COMPANIES. THIS DOCUMENT, NOR ANY PART THEREOF, MAY BE USED, REPRODUCED OR MODIFIED IN ANY MANNER WITHOUT THE WRITTEN CONSENT OF QUIKRETE.



**CURB INLET FILTER  
FABRIC  
STANDARD DETAIL**

I:\STOR\WATER\COMMOPS\59\_FILTER\_INSERT\40\_STANDARD\_DRAWINGS\CIF-FABRIC\FABRIC\_CURB\_INLET\_FILTER.DWG 7/9/2025 2:37 PM