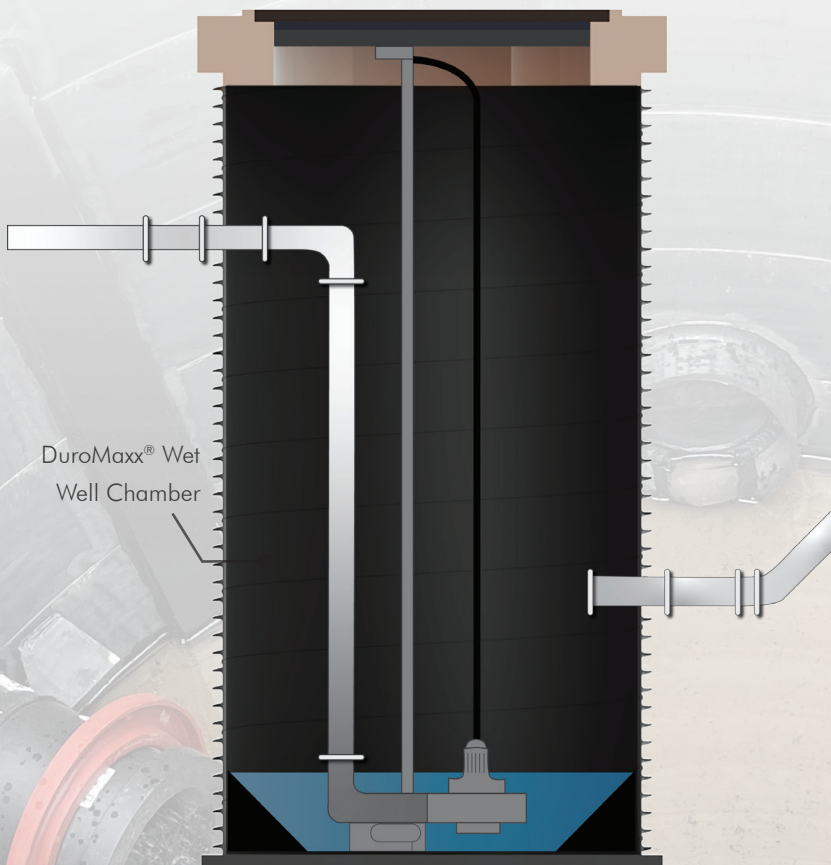


## DuroMaxx<sup>®</sup> SRPE Wet Well Applications

Contech Engineered Solutions offers DuroMaxx<sup>®</sup> SRPE for wet well applications. It meets structural requirements and is a durable, lightweight alternative for easier installation and continued cost savings when compared to traditional solutions.

### FEATURES & BENEFITS

- Corrosion resistant
- Leak-free
- Fabrication flexibility
- Cost-effectiveness
- Internal fabrications available
- Bell connections for A-2000<sup>™</sup> PVC and DuroMaxx<sup>®</sup> SRPE, connections to other industry standard pipe materials readily available



### TO GET STARTED:

- Provide specific project drawings
- Provide rim/outlet pipe diameters and elevations, rim and base elevations, and well diameter.

## Superior Corrosion Resistance