



UrbanPond[®] Concrete Stormwater Detention



The experts you need to solve your stormwater challenges



Contech is the leader in stormwater solutions, helping engineers, contractors and owners with infrastructure and land development projects throughout North America.

With our responsive team of stormwater experts, local regulatory expertise and flexible solutions, Contech is the trusted partner you can count on for stormwater management solutions.

Your Contech Team



STORMWATER CONSULTANT

It's my job to recommend the best solution to meet permitting requirements.



STORMWATER DESIGN ENGINEER

I work with consultants to design the best approved solution to meet your project's needs.



REGULATORY MANAGER

I understand the local stormwater regulations and what solutions will be approved.



SALES ENGINEER

I make sure our solutions meet the needs of the contractor during construction.

Contech is your partner in stormwater management solutions



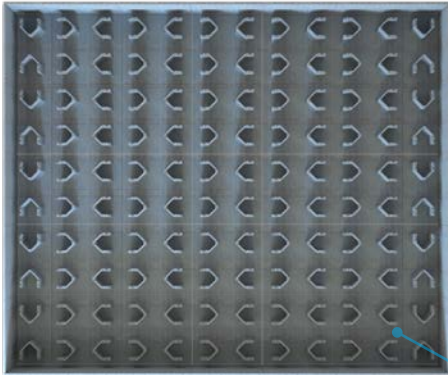
Innovative Concrete Stormwater Detention – UrbanPond®

UrbanPond is a modular precast concrete underground storage system that mimics the function of ponds and open detention basins. It has high void percentages to maximize stormwater volume, and its robust precast form allows systems to be buried deeper without the need for specialized backfill, increased wall thicknesses, or extra rebar reinforcement.

Modules are available in 8' x 8' feet square or 8' x 16' rectangular configurations, giving designers more versatility to accommodate dense development, urban infill or high-volume projects. The modular design can be placed under roadways, parking lots and landscape areas in various shapes, sizes, and depths. The system's internal offset leg configuration provides channel-less water distribution for stormwater entering and exiting the system, and the robust precast form allows it to be buried.

UrbanPond, a traffic-rated underground stormwater storage system, is designed and produced with considerations such as height of cover, live and dead loads, proximity to adjacent structures, and required detention volume.

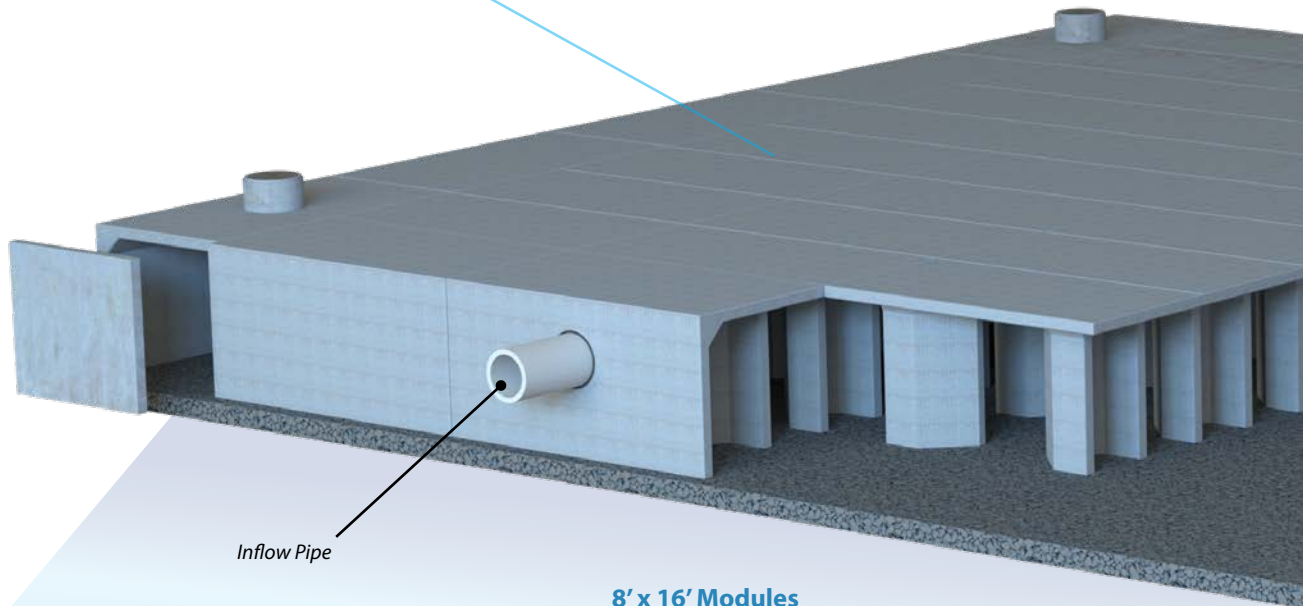
UrbanPond® Configurations



Top view without top slabs.

8' x 16' Module Assembly

The UrbanPond structure benefits from repeating tessellated shapes. Both the 8' x 8' and 8' x 16' modules can be combined for increased design versatility and efficiency.



Inflow Pipe

8' x 16' Modules



Interior



Perimeter



Interior Stacked



Perimeter Wall Panel

Multiple configurations allow for easy site integration

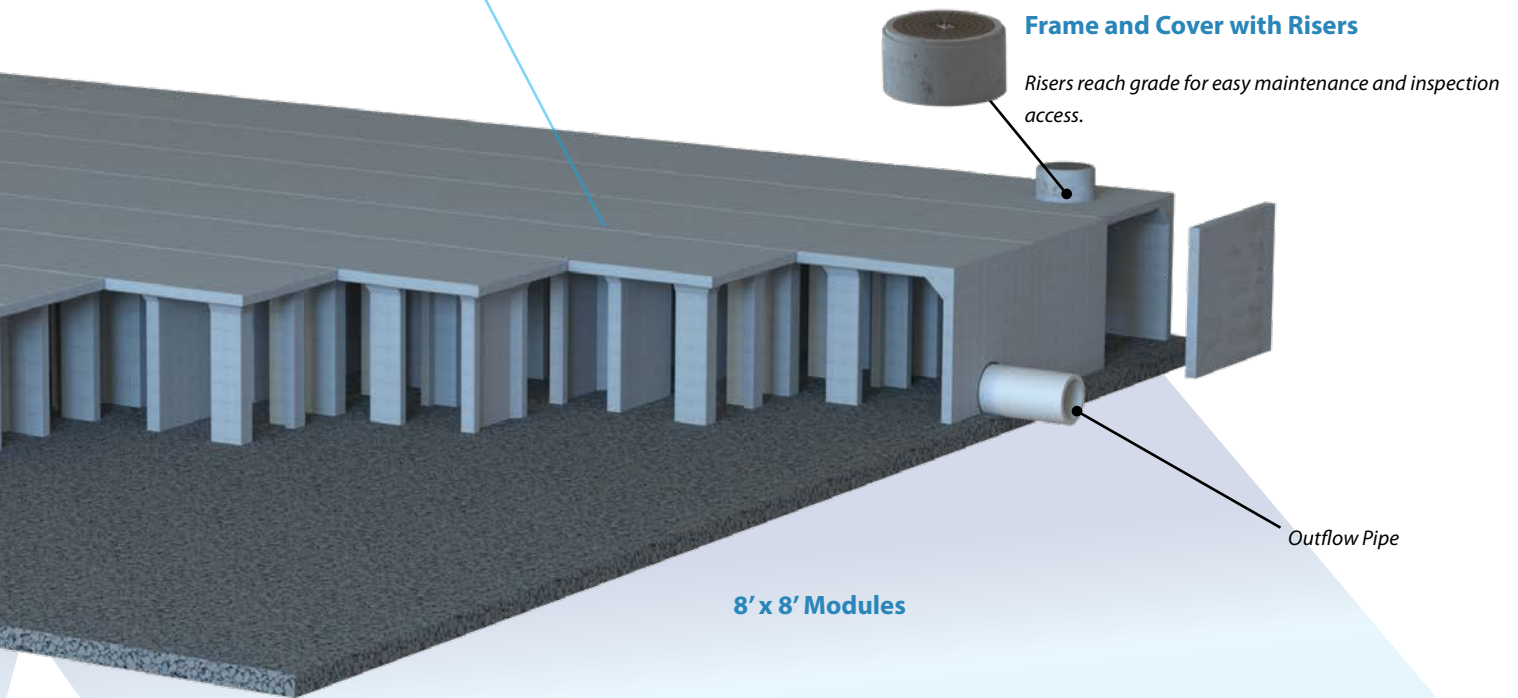
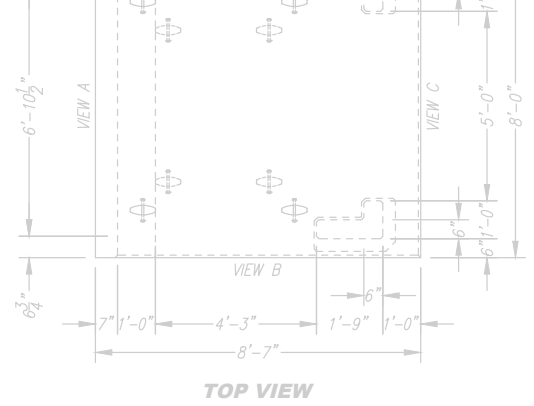


Top view without top slabs.

8' x 8' Module Assembly

The UrbanPond 8' x 8' modules' square tessellation repeats, covering a plane without any gaps or overlaps.

The offset leg configuration of the modules creates an open, channel-less internal space.

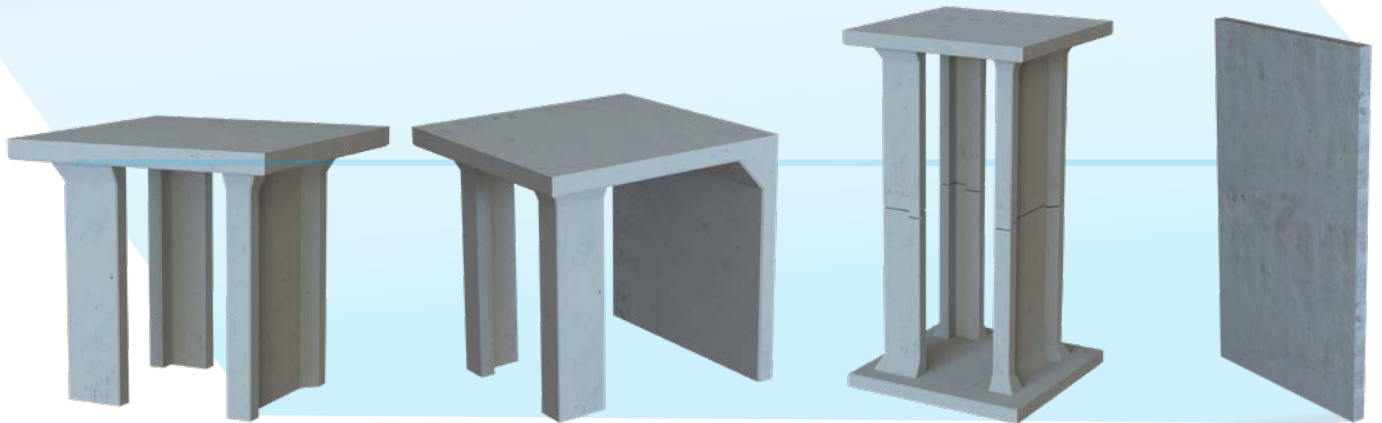


Frame and Cover with Risers

Risers reach grade for easy maintenance and inspection access.

Outflow Pipe

8' x 8' Modules



Interior

Perimeter

Interior Stacked

Perimeter Wall Panel

UrbanPond® Features and Benefits

FEATURE	BENEFIT
Various module sizes (8' x 8' and 8' x 16') to meet site constraints and installation requirements	Design flexibility while maximizing storage space
Optional built-in orifice control riser	Slowly discharges captured runoff to keep your site in compliance with local regulations
Designed to meet H-20 loading requirements	Superior strength & load capacity
Minimum cover of only 12"	Maximizes available depth
Can be backfilled with native soil	Eliminates the need to purchase rock required in other concrete systems



APPLICATION TIPS

- Best practice designs for subsurface infiltration include pretreatment to reduce cost and frequency of maintenance while ensuring the infiltration capacity of the facility.

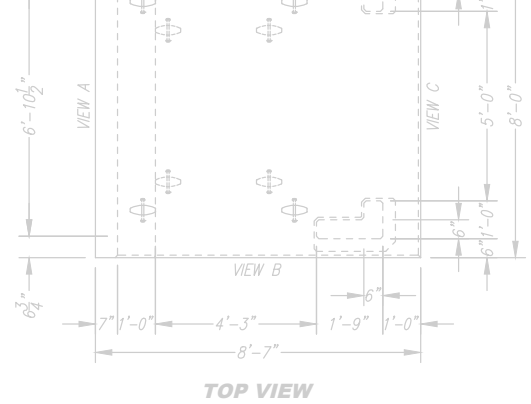
UrbanPond® System Sizing

UrbanPond modules are available with inside heights ranging from 3 feet to 7 feet, in 6-inch increments, and the stacked UrbanPond modules are stackable up to 14 feet.

URBANPOND INSIDE HEIGHT (FT)	8' X 8' MODULE STORAGE VOLUME (CF)	8' X 16' MODULE STORAGE VOLUME (CF)
3	180	360
4	242	484
5	304	607
6	366	730
7	428	854
8	485	968
9	546	1091
10	608	1214
11	670	1338
12	732	1461
13	793	1584
14	855	1708

A breakthrough system for underground storage management

UrbanPond® Applications



Detention/Retention

Detention with controlled discharge utilizing built-in outlet orifice structures. Retention for long-term storage of runoff onsite to meet strict stormwater requirements.

Flood Control

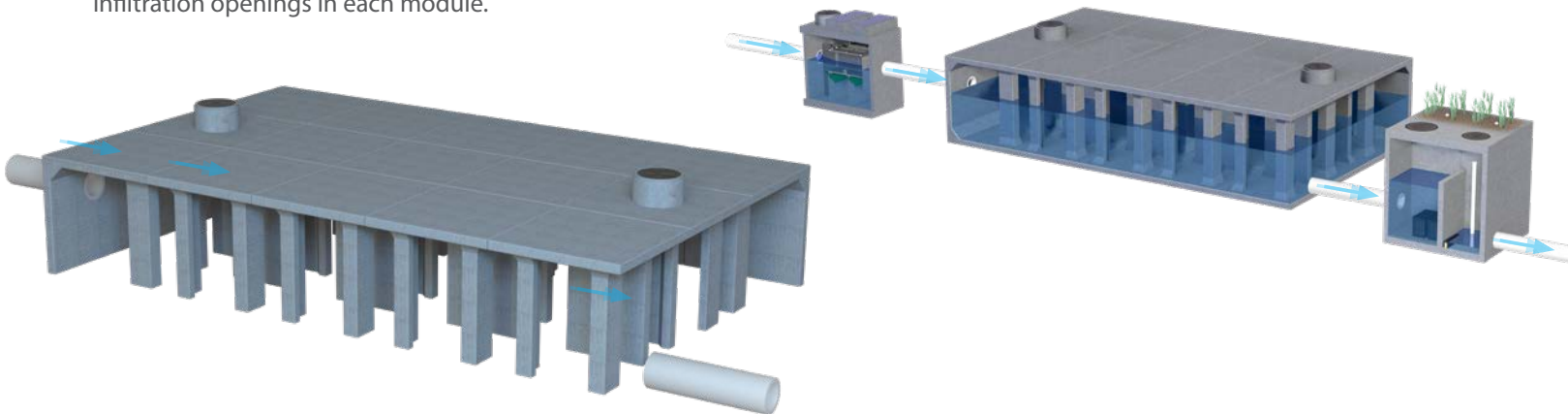
Flood Control of peak storm events to minimize downstream flooding and erosion.

Infiltration Galleries

UrbanPond infiltration galleries are designed to maximize the transfer of water for percolation into native soils and groundwater recharge. The features include 30" diameter infiltration openings in each module.

Treatment Train Design Options

The example shows an upstream Debris Separating Baffle Box (DSBB) to treat large flows, and capture trash, debris, and suspended solids, as well as hydrocarbons. The Modular Wetlands Linear is downstream, and the only biofiltration product that can be placed downstream of a detention system.



UrbanPond® Maintenance

UrbanPond is designed to be maintained from the finished surface via a vacuum truck. Access ports are strategically placed throughout the system to facilitate maintenance. Modules can be modified to act as clear wells or pretreatment chambers for capturing trash, debris, and sediment. This consolidates maintenance requirements to a select few modules. Standard manholes, hinged manholes, and other access hatches are available.



UrbanPond® systems are designed with multiple port locations for easy maintenance.

A partner you can rely on



STORMWATER
SOLUTIONS



PIPE
SOLUTIONS



STRUCTURES
SOLUTIONS

Few companies offer the wide range of high-quality stormwater resources you can find with us — state-of-the-art products, decades of expertise, and all the maintenance support you need to operate your system cost-effectively.

THE CONTECH WAY

Contech® Engineered Solutions provides innovative, cost-effective site solutions to engineers, contractors, and developers on projects across North America. Our portfolio includes bridges, drainage, erosion control, retaining wall, sanitary sewer and stormwater management products.

TAKE THE NEXT STEP

For more information: www.ContechES.com

NOTHING IN THIS CATALOG SHOULD BE CONSTRUED AS A WARRANTY. APPLICATIONS SUGGESTED HEREIN ARE DESCRIBED ONLY TO HELP READERS MAKE THEIR OWN EVALUATIONS AND DECISIONS, AND ARE NEITHER GUARANTEES NOR WARRANTIES OF SUITABILITY FOR ANY APPLICATION. CONTECH MAKES NO WARRANTY WHATSOEVER, EXPRESS OR IMPLIED, RELATED TO THE APPLICATIONS, MATERIALS, COATINGS, OR PRODUCTS DISCUSSED HEREIN. ALL IMPLIED WARRANTIES OF MERCHANTABILITY AND ALL IMPLIED WARRANTIES OF FITNESS FOR ANY PARTICULAR PURPOSE ARE DISCLAIMED BY CONTECH. SEE CONTECH'S CONDITIONS OF SALE (AVAILABLE AT WWW.CONTECHES.COM/COS) FOR MORE INFORMATION.

CONTECH
ENGINEERED SOLUTIONS

Get social with us: [f](#) [in](#) [t](#) [v](#)

800-338-1122 | www.ContechES.com