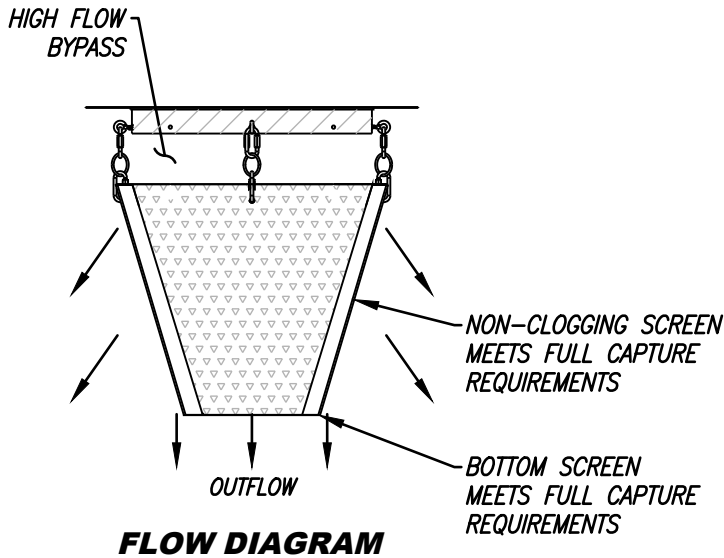
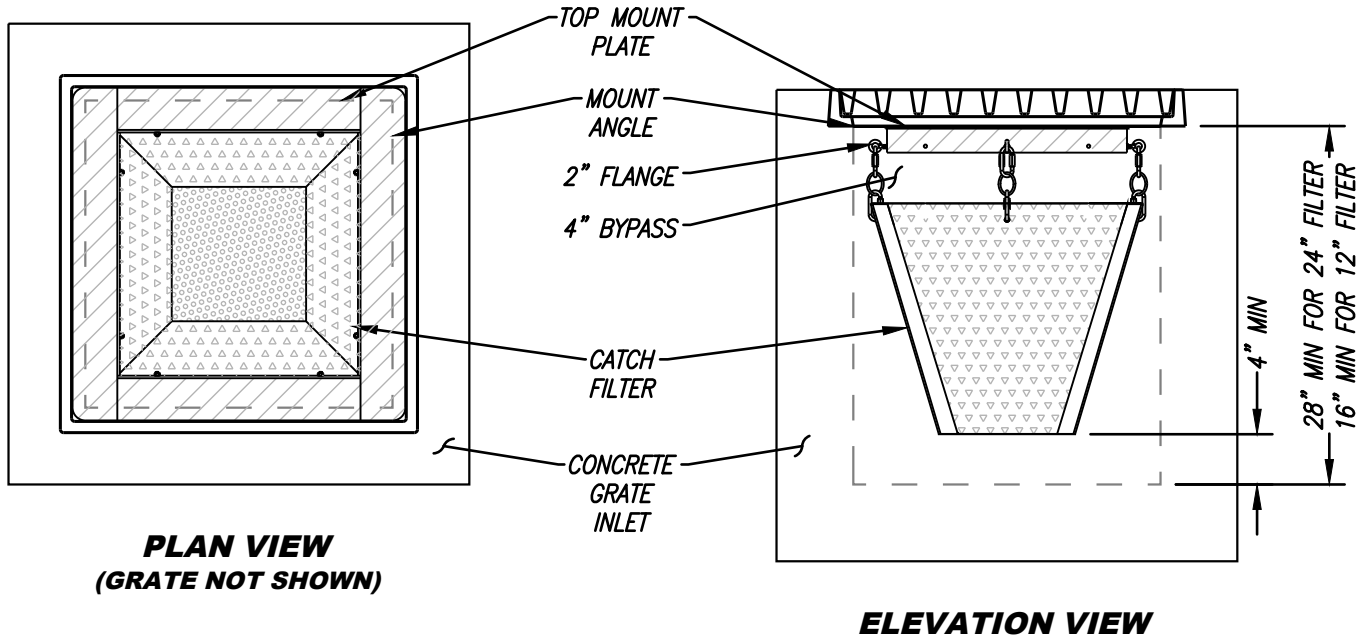


BIO CLEAN FULL CAPTURE FILTER

FOR USE IN GRATE INLETS



INSTALLATION NOTES:

1. ALL HARDWARE, FLANGE, FRAME, AND SCREENS SHALL BE STAINLESS STEEL.
2. OPTIONAL HYDROCARBON BOOM SHALL BE 2-INCH DIAMETER.
3. SEE PERFORMANCE REPORTS IN MANUFACTURER'S SPECIFICATIONS.
4. BASED ON 37% OPEN AREA.
5. CONSIDERS A SAFETY FACTOR OF 2.0.
6. STORAGE CAPACITY BASED ON THE BASKET HALF FULL.
7. CONCRETE STRUCTURES SOLD SEPARATELY.

MODEL #	TREATMENT FLOW RATE (CFS)	BYPASS FLOW (CFS)	SOLIDS STORAGE CAPACITY (CF)
BIO-GRATE-FULL 12-12-12	1.04	1.24	0.15
BIO-GRATE-FULL 18-18-12	1.78	2.79	0.33
BIO-GRATE-FULL 24-24-12	2.70	4.96	0.59
BIO-GRATE-FULL 24-40-12	3.70	6.35	0.88
BIO-GRATE-FULL 24-24-24	7.31	4.96	1.22
BIO-GRATE-FULL 24-40-24	9.53	6.35	1.82
BIO-GRATE-FULL 36-36-24	11.93	7.74	2.73

NOT TO SCALE

PROPRIETARY AND CONFIDENTIAL:

THE INFORMATION CONTAINED IN THIS DOCUMENT IS THE SOLE PROPERTY OF QUIKRETE AND ITS COMPANIES. THIS DOCUMENT, NOR ANY PART THEREOF, MAY BE USED, REPRODUCED OR MODIFIED IN ANY MANNER WITH OUT THE WRITTEN CONSENT OF QUIKRETE.



**GRATE INLET FILTER
FULL CAPTURE
STANDARD DETAIL**

I:\STOR\WATER\COMPOSI\59_FILTER_INSERT\40_STANDARD_DRAWINGS\GIF-FULL\CAPTURE_GRATE_INLET_FILTER.DWG 7/16/2024 8:33 AM