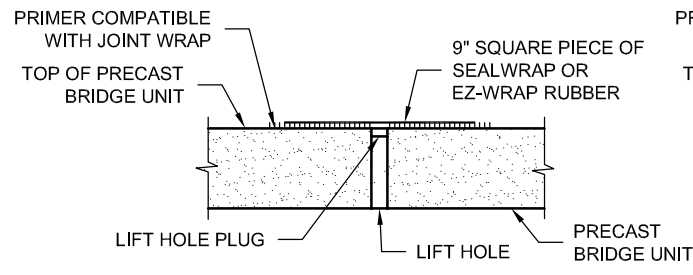
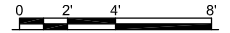


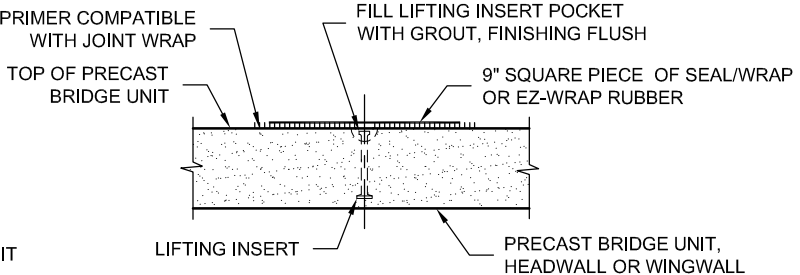
BRIDGE PLAN



FOUNDATION PLAN



LIFTING HOLES



LIFTING INSERTS

TYPICAL LIFT POINT SEALING DETAIL

NOT TO SCALE

The design and information shown on this drawing is provided as a service to the project owner, engineer and contractor by Contech Engineered Solutions LLC ("Contech"). Neither this drawing, nor any part thereof, may be used, reproduced or modified in any manner without the prior written consent of Contech. Failure to comply is done at the user's own risk and Contech expressly disclaims any liability or responsibility for such use.

If discrepancies between the supplied information upon which the drawing is based and actual field conditions are encountered as site work progresses, these discrepancies must be reported to Contech immediately for re-evaluation of the design. Contech accepts no liability for designs based on missing, incomplete or inaccurate information supplied by others.

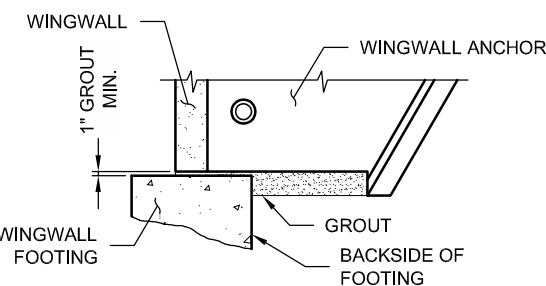
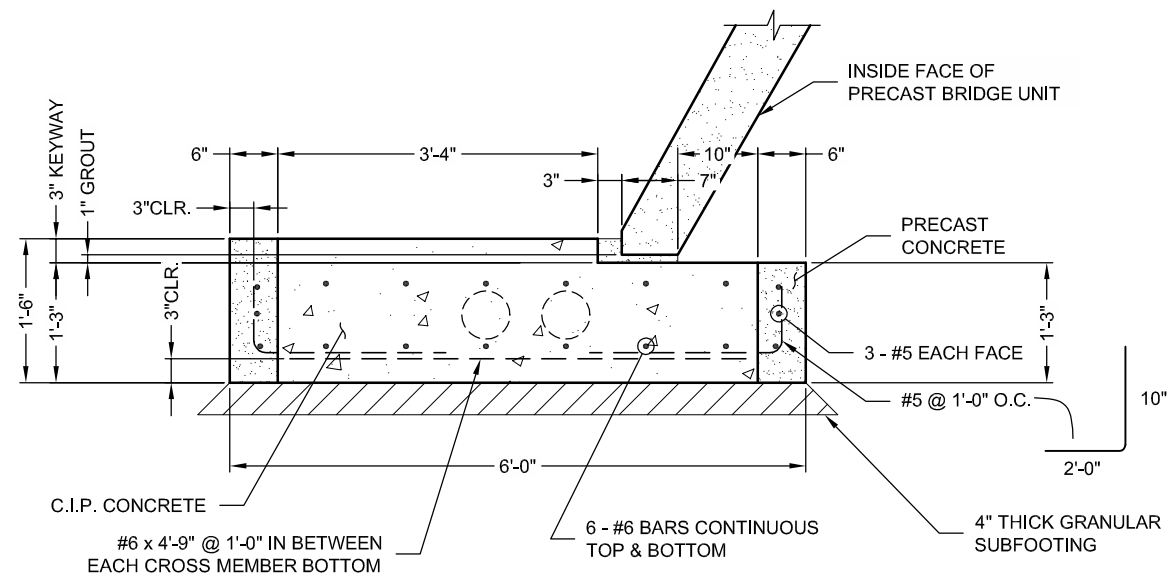
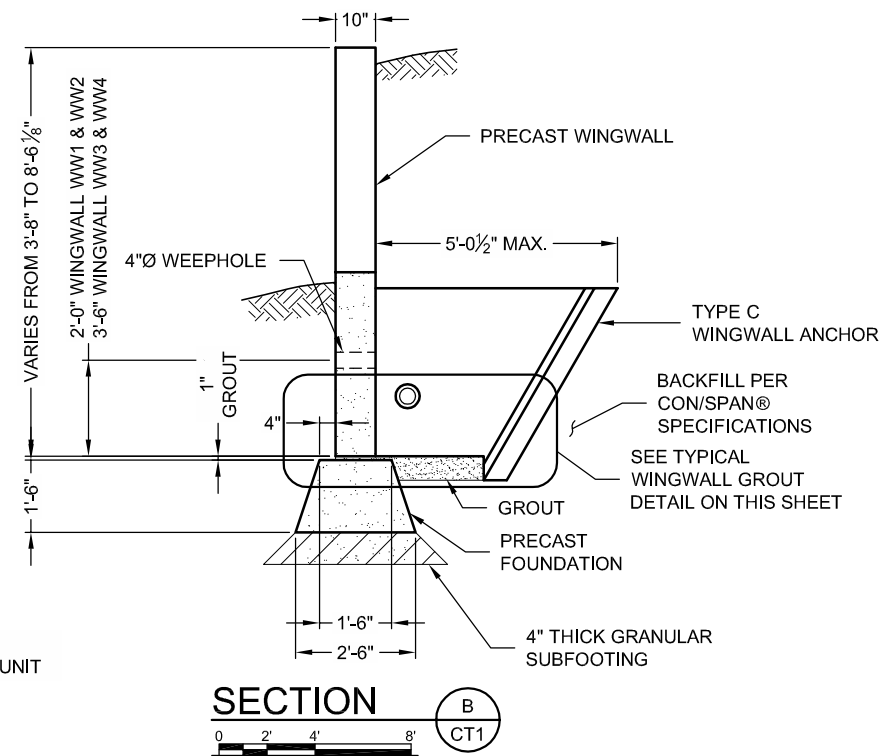
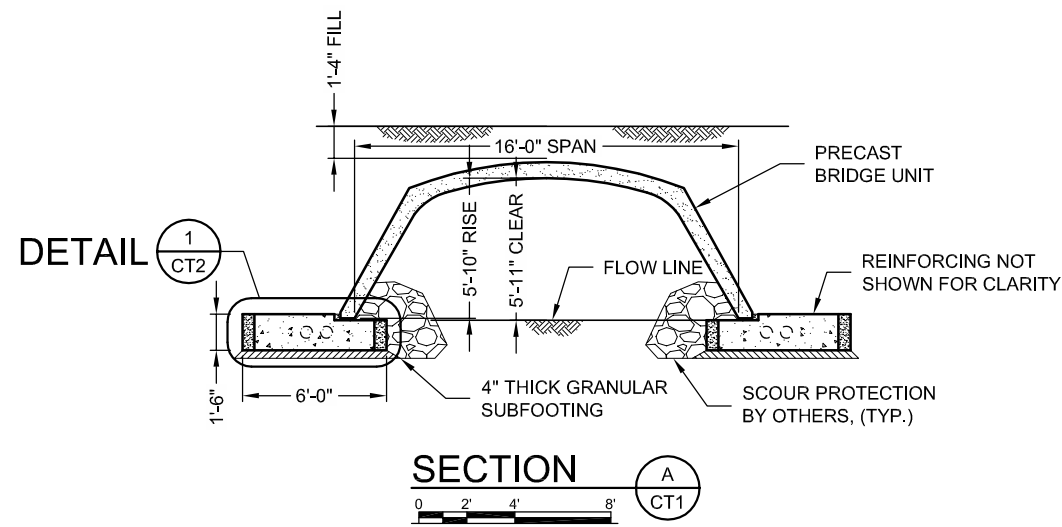
MARK	DATE	REVISION DESCRIPTION	BY
	10/10/2012		
	9/18/2012		

CONTECH
ENGINEERED SOLUTIONS LLC
www.ContechES.com
9025 Centre Pointe Dr., Suite 400, West Chester, OH 45069
800-338-1122 513-645-7000 513-645-7993 FAX

CONSPAN
O-SERIES
EXPRESS Foundations

SAMPLE DRAWINGS
CON/SPAN O-SERIES WITH EXPRESS FOUNDATIONS

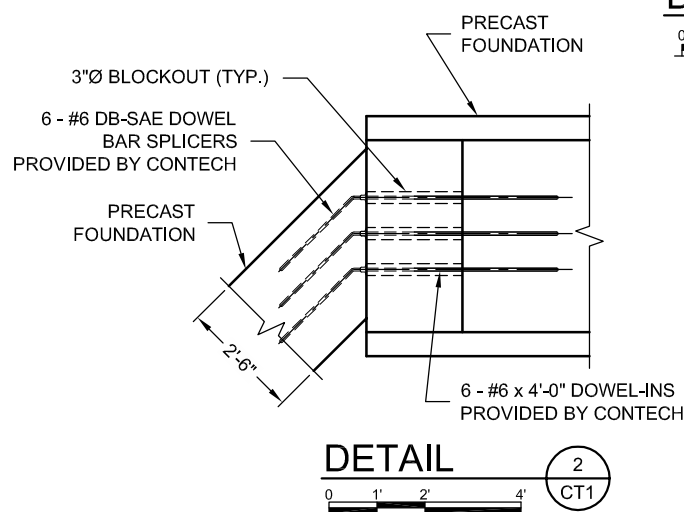
PROJECT No.:	SEQ. No.:	DATE:
		1/1/2013
DESIGNED:	DRAWN:	
CHECKED:	APPROVED:	
SHEET NO.:	CT1 OF CT3	



- NOTES:
- MINIMUM 1" GROUT UNDER WINGWALL LEG & ANCHOR STEM.
 - AREA BETWEEN WINGWALL FOOTING AND WINGWALL ANCHOR SHALL BE GROUTED SOLID BEFORE BACKFILL.
 - FORM BACKSIDE OF FOOTING TO DIMENSIONS SHOWN ON FOUNDATION PLAN.

TYPICAL WINGWALL GROUT DETAIL
NOT TO SCALE

- PRECAST REINFORCED CONCRETE EXPRESS™ FOUNDATION NOTES:**
1. PRECAST FOUNDATION UNITS SHALL BE CONSTRUCTED AND INSTALLED IN ACCORDANCE WITH SPECIFICATIONS FOR MANUFACTURE AND INSTALLATION OF CON/SPAN BRIDGE SYSTEMS.
 2. PRECAST AND CAST-IN-PLACE CONCRETE FOR EXPRESS FOUNDATIONS SHALL HAVE A MINIMUM 28-DAY COMPRESSIVE STRENGTH OF 4000 PSI. REINFORCING STEEL FOR FOUNDATIONS SHALL CONFORM TO ASTM A615 OR A996, GRADE 60.
 3. PRECAST FOUNDATION UNITS SHALL BE SET ON A MINIMUM 4-INCH THICK BASE LAYER OF COMPACTED GRANULAR MATERIAL THE FULL WIDTH OF THE FOUNDATION.
 4. COMPACTED BACKFILL MATERIAL MUST BE PLACED UP TO THE TOP OF THE PRECAST FOUNDATION UNITS ON BOTH SIDES PRIOR TO PLACING CAST-IN-PLACE CONCRETE PORTION OF FOUNDATIONS.
 5. CONCRETE SURFACES WHICH CAST-IN-PLACE CONCRETE WILL BE PLACED AGAINST SHALL BE CLEAN, FREE OF LAITANCE, DIRT, STANDING WATER AND ANY OTHER MATERIAL THAT MAY IMPAIR THE BOND BETWEEN THE PRECAST CONCRETE AND CAST-IN-PLACE CONCRETE.
 6. CAST-IN-PLACE CONCRETE MIX USED TO FILL FOUNDATION SHALL BE ABLE TO FLOW INTO ARCH SHIM SPACE OR NON-SHRINK GROUT SHALL BE PLACED UNDER ARCH UNIT LEG AT FOUNDATION CROSS MEMBERS PRIOR TO PLACEMENT OF CAST-IN-PLACE PORTION OF FOUNDATION.
 7. IF THE AMBIENT TEMPERATURE AT THE TIME OF PLACEMENT OF CAST-IN-PLACE CONCRETE IS ABOVE 90°F OR EXPECTED TO GO BELOW 35°F DURING THE CURE PERIOD, THE CONTRACTOR SHALL FOLLOW THE REQUIREMENTS OF THE LATEST EDITION OF THE AASHTO LRFD BRIDGE CONSTRUCTION SPECIFICATIONS, SECTION 8.6.2 HOT WEATHER PROTECTION OR SECTION 8.6.4 COLD WEATHER PROTECTION.
 8. IF PRECAST ARCH UNITS ARE TO BE ERECTED ON PRECAST FOUNDATION UNITS PRIOR TO PLACEMENT OF CAST-IN-PLACE CONCRETE, THE CABLE TIES/RODS (SHIPPED WITH LONG-SPAN STRUCTURES) MUST REMAIN IN PLACE AND MAY NOT BE REMOVED UNTIL CAST-IN-PLACE CONCRETE HAS REACHED A MINIMUM COMPRESSIVE STRENGTH OF 2000 PSI.
 9. IF CABLE TIES/RODS (SHIPPED WITH LONG-SPAN STRUCTURES) MUST BE REMOVED PRIOR TO SETTING OF ARCH UNITS, CAST-IN-PLACE CONCRETE PORTION OF FOUNDATIONS MUST BE PLACED AND ALLOWED TO REACH A MINIMUM COMPRESSIVE STRENGTH OF 2000 PSI BEFORE PLACEMENT OF PRECAST ARCH UNITS, HEADWALLS AND WINGWALLS. CONTRACTOR MUST FOLLOW SPECIFICATION SECTION 13.4 AND NOTIFY CONTECH ENGINEER PRIOR TO REMOVING CABLES TIES/RODS.
 10. IF CAST-IN-PLACE CONCRETE PORTION OF FOUNDATION IS TO BE PLACED PRIOR TO SETTING OF ARCH UNITS, HEADWALLS OR WINGWALLS, CAST-IN-PLACE CONCRETE SHALL REACH A MINIMUM COMPRESSIVE STRENGTH OF 2000 PSI BEFORE PRECAST ARCH UNITS, HEADWALLS AND WINGWALLS ARE SET.
 11. FOUNDATION CONCRETE SHALL REACH ITS FULL DESIGN STRENGTH BEFORE BACKFILLING OF ARCH UNITS MAY COMMENCE.



The design and information shown on this drawing is provided as a service to the project owner, engineer and contractor by Contech Engineered Solutions LLC ("Contech"). Neither this drawing, nor any part thereof, may be used, reproduced or modified in any manner without the prior written consent of Contech. Failure to comply is done at the user's own risk and Contech expressly disclaims any liability or responsibility for such use.

If discrepancies between the supplied information upon which the drawing is based and actual field conditions are encountered as site work progresses, these discrepancies must be reported to Contech immediately for re-evaluation of the design. Contech accepts no liability for designs based on missing, incomplete or inaccurate information supplied by others.

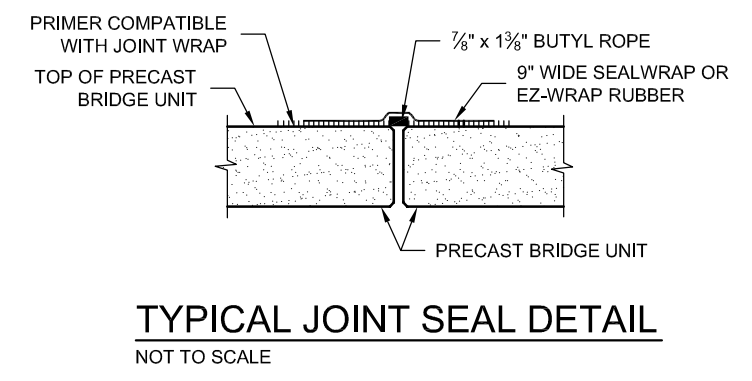
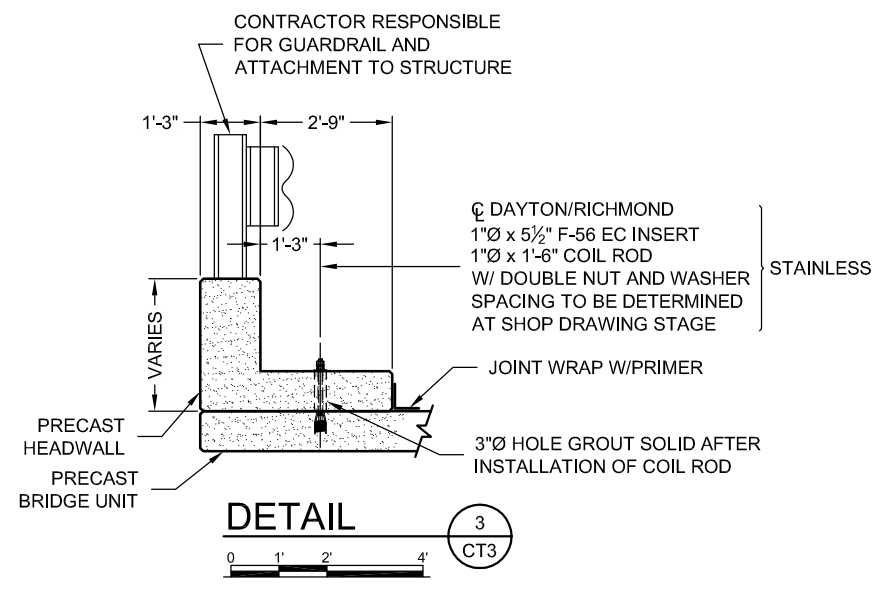
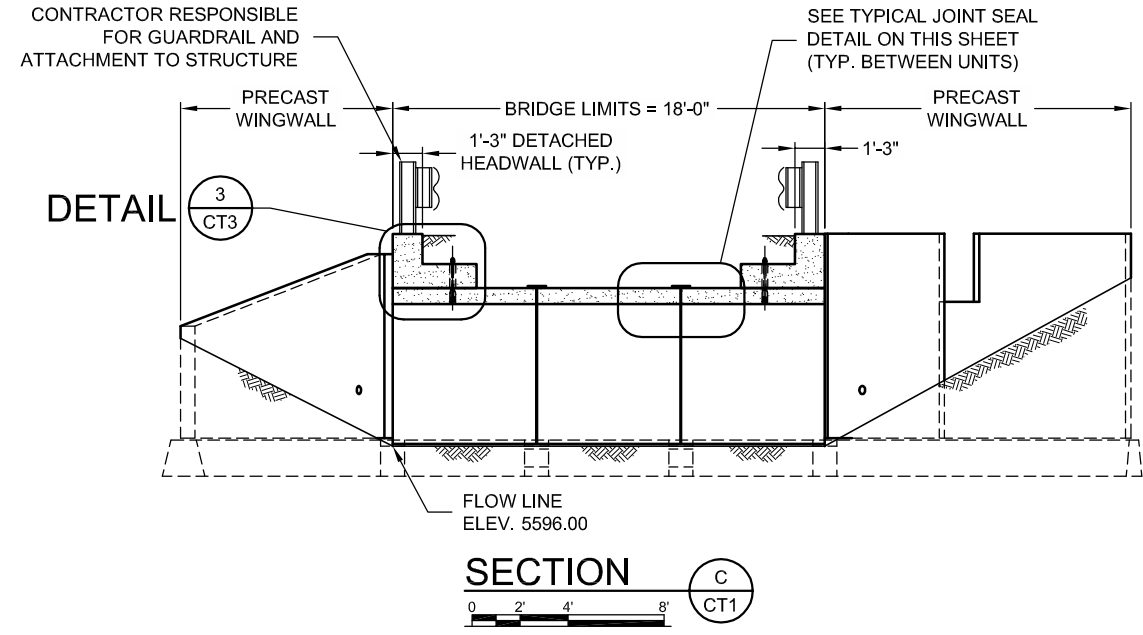
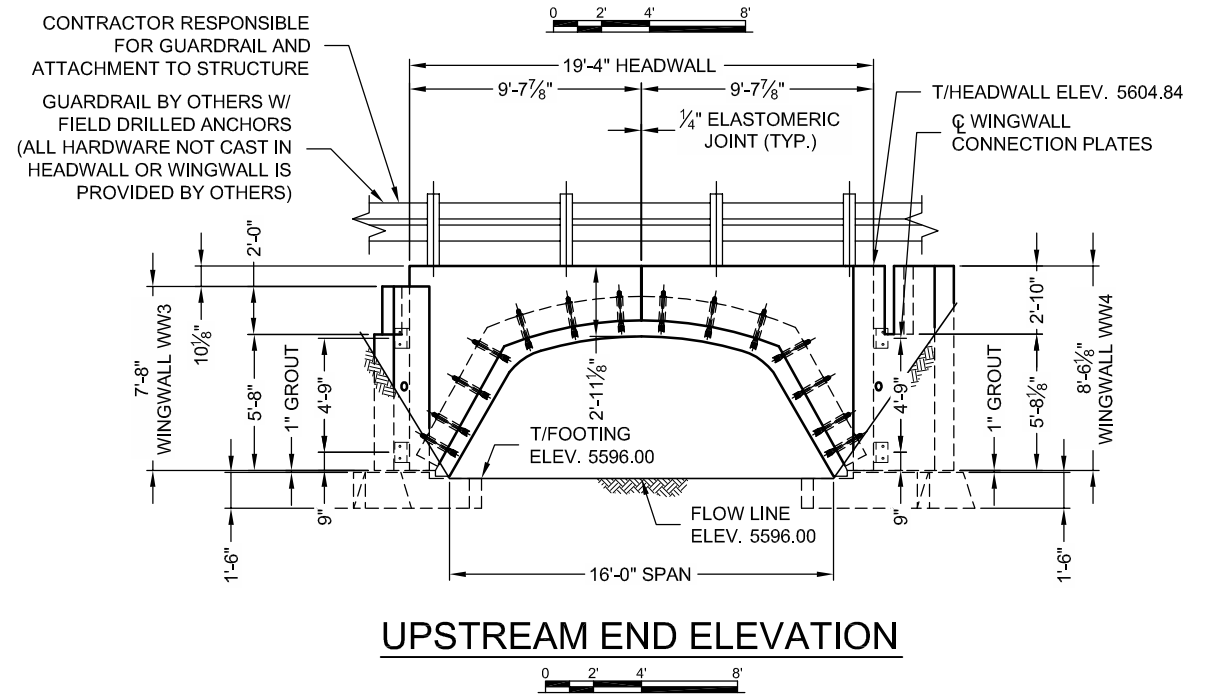
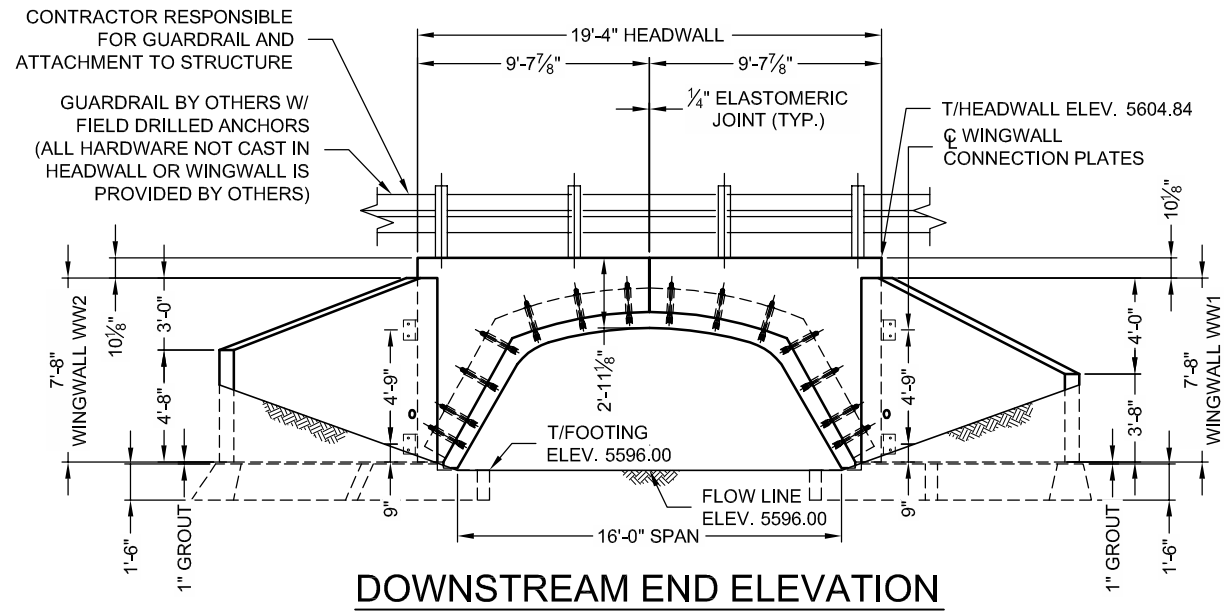
MARK	DATE	REVISION DESCRIPTION	BY
	10/10/2012		
	9/18/2012		

CONTECH
ENGINEERED SOLUTIONS LLC
www.ContechES.com
9025 Centre Pointe Dr., Suite 400, West Chester, OH 45069
800-338-1122 513-645-7000 513-645-7993 FAX

CONSPAN
O-SERIES
EXPRESS Foundations

SAMPLE DRAWINGS
CON/SPAN O-SERIES WITH EXPRESS FOUNDATIONS

PROJECT No.:	SEQ. No.:	DATE:
		1/1/2013
DESIGNED:	DRAWN:	
CHECKED:	APPROVED:	
SHEET NO.:		
CT2 OF CT3		



The design and information shown on this drawing is provided as a service to the project owner, engineer and contractor by Contech Engineered Solutions LLC ("Contech"). Neither this drawing, nor any part thereof, may be used, reproduced or modified in any manner without the prior written consent of Contech. Failure to comply is done at the user's own risk and Contech expressly disclaims any liability or responsibility for such use.

If discrepancies between the supplied information upon which the drawing is based and actual field conditions are encountered as site work progresses, these discrepancies must be reported to Contech immediately for re-evaluation of the design. Contech accepts no liability for designs based on missing, incomplete or inaccurate information supplied by others.

MARK	DATE	REVISION DESCRIPTION	BY
	10/10/2012		
	9/18/2012		

CONTECH
ENGINEERED SOLUTIONS LLC
www.ContechES.com
9025 Centre Pointe Dr., Suite 400, West Chester, OH 45069
800-338-1122 513-645-7000 513-645-7993 FAX

CONSPAN
O-SERIES
EXPRESS Foundations

SAMPLE DRAWINGS
CON/SPAN O-SERIES WITH EXPRESS FOUNDATIONS

PROJECT No.:	SEQ. No.:	DATE:
		1/1/2013
DESIGNED:	DRAWN:	
CHECKED:	APPROVED:	
SHEET NO.:		
CT3 OF CT3		