

## Structural HDPE Trash Racks for Water Screening



# Key Advantages

## Availability

Contech® Engineered Solutions is pleased to introduce StormRax™, its line of structural plastic trash racks and debris cages for stormwater management basins and pond structures from Plastic Solutions Inc. In addition to the full line of standard sizes, we can also customize to fit your specific requirements.

StormRax trash racks are available in numerous sizes and shapes to accommodate nearly every type of application.

## Strength & Durability

Structural plastic has a cellular core surrounded by integral skins forming a totally integrated structure. Structural molded parts made from HDPE and fiberglass have a high strength-to-weight ratio and have 3 to 4 times greater rigidity than solid parts of the same material of equal weight.

Racks are designed to withstand the conditions of pond structures - rough handling, high/low temperatures and long term weather exposure. Structural plastic has replaced wood, concrete, solid plastics and metals in a variety of applications.

## Quality Alternative

Structural plastic racks are a great alternative to painted and galvanized steel racks for use in stormwater management ponds and general water screening. They also provide a structurally sound product with a long lasting quality appearance.

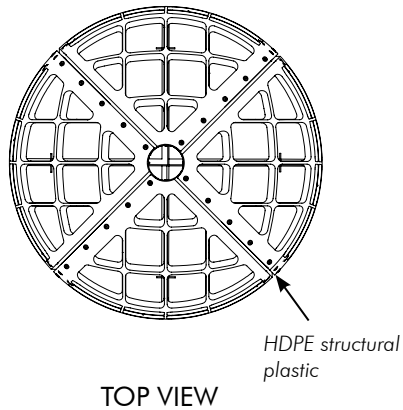
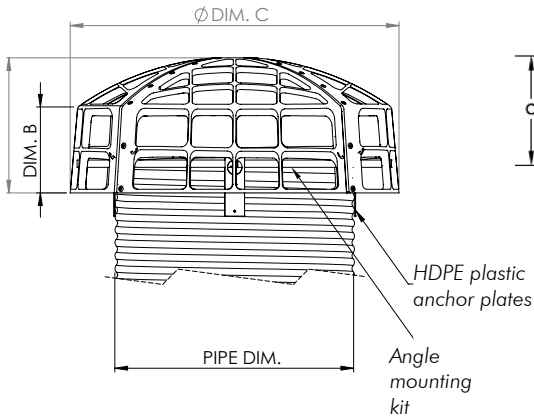


With structural plastic, you can take advantage of the many benefits such as:

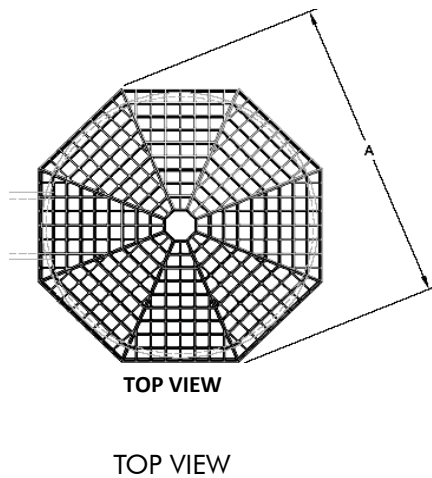
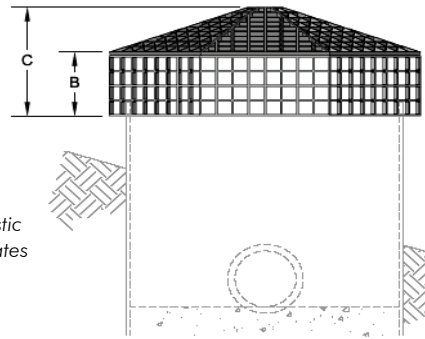
- Durable & Rust Free
- Strong & Lightweight
- Fast Turnaround
- Design Flexibility
- Installation Savings

# Applications and Options for Round Structures

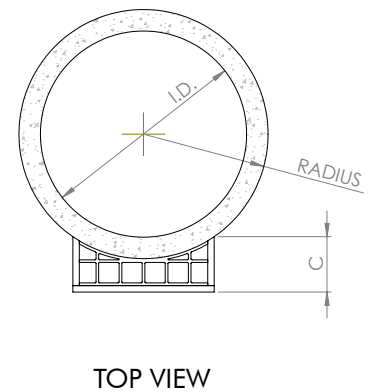
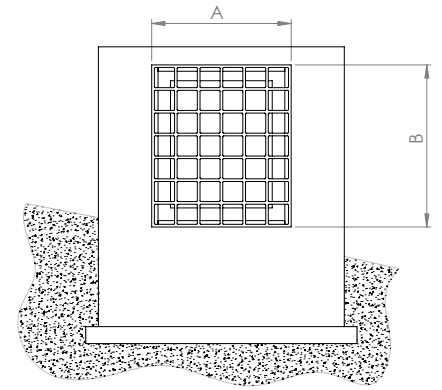
## Round Series



## Pyramid Series\*



## Flat Series



\*Pyramid racks are ideal for 60-inch or larger CMP structures and 72-inch or larger concrete structures.

StormRax round and pyramid racks are available with an anti-vortex device and racks can be mounted on concrete structures, plastic and metal pipe.

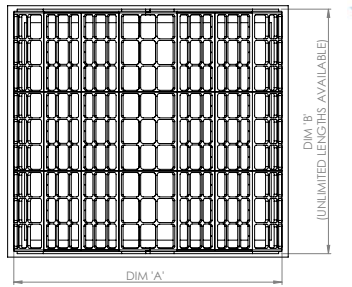
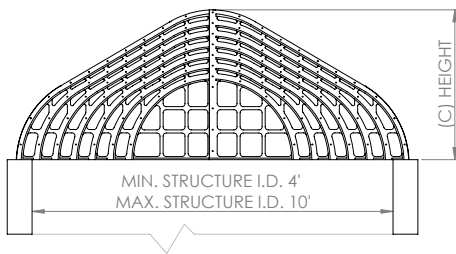


# Applications and Options for Box Structures

## THE DOME SERIES » New Modular Design - Improved 'Round Series'

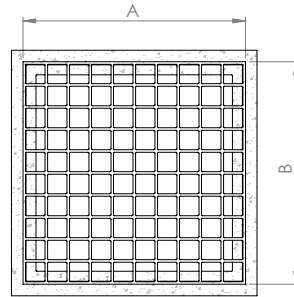
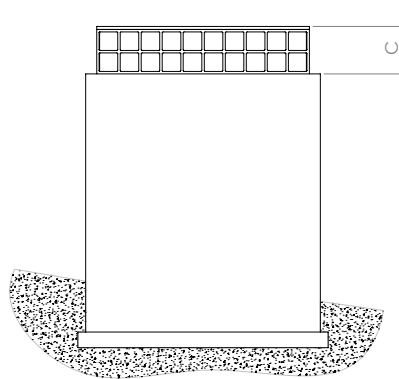
Our newest trash rack evolution is constructed of Structural Foam Molded High Density Polyethylene, a strong and lightweight replacement for steel that has proven to be a durable and economical alternative.

### Dome Series



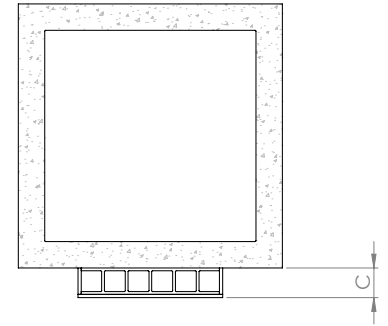
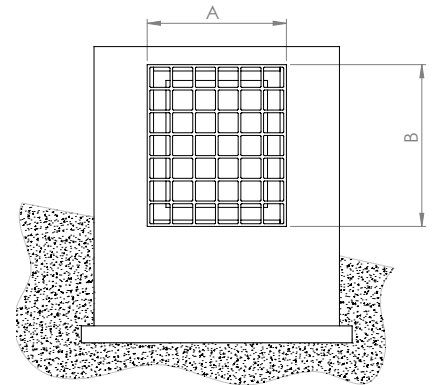
TOP VIEW

### Flat Top Series



TOP VIEW

### Flat Side Series



TOP VIEW

Contech Engineered Solutions provides site solutions for the civil engineering industry. Contech's portfolio includes bridges, drainage, retaining walls, sanitary sewer, stormwater, erosion control and soil stabilization products.

**For more information about the products in this brochure, or to reach a sales representative in your region, call 800-338-1122 or go to [www.ContechES.com](http://www.ContechES.com)**

NOTHING IN THIS CATALOG SHOULD BE CONSTRUED AS AN EXPRESSED WARRANTY OR AN IMPLIED WARRANTY OF MERCHANTABILITY OR FITNESS FOR ANY PARTICULAR PURPOSE. SEE THE CONTECH STANDARD CONDITIONS OF SALE (VIEWABLE AT [WWW.CONTECHES.COM/COS](http://WWW.CONTECHES.COM/COS)) FOR MORE INFORMATION.