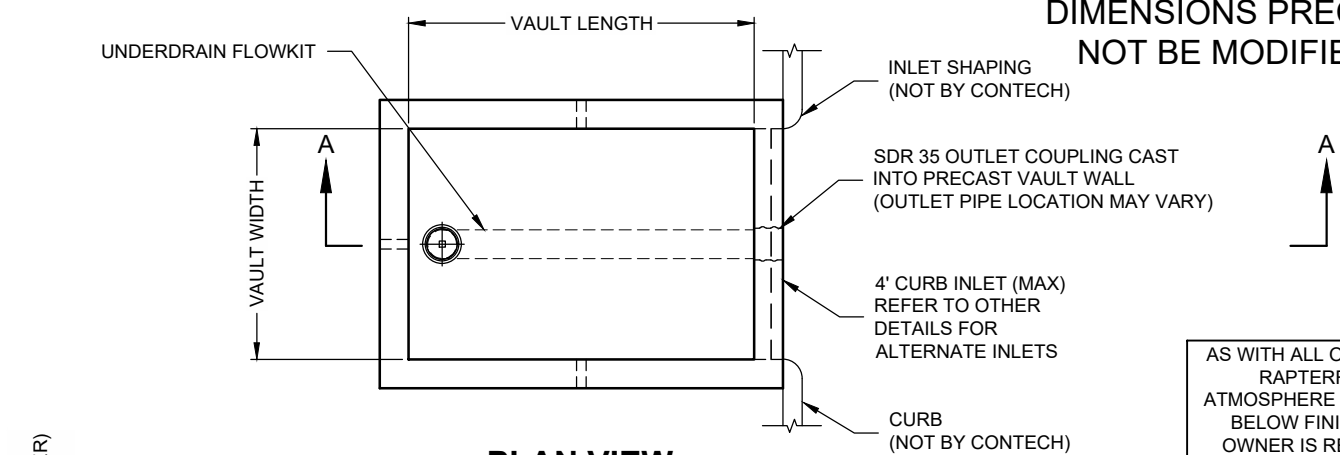


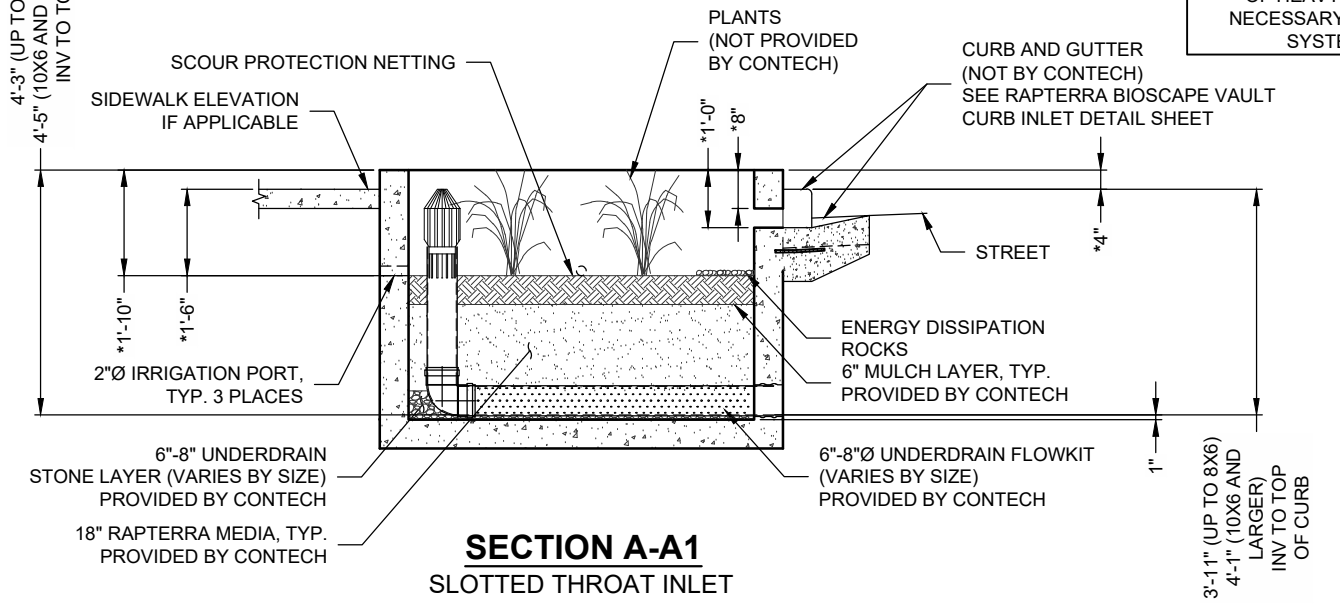
I:\QUIKRETE\COMMON\COMMON\STORMWATER TICKETS IN PROCESS\BUCHSBAUM_COMPLETED\CREATE RAPTERRA BIOSCAPE VAULT INLINE CONFIG DTL.DWG 4/23/2026 9:00 AM

DIMENSIONS PRECEDED BY " * " ARE CRITICAL AND MAY NOT BE MODIFIED WITHOUT CONSULTING CONTECH

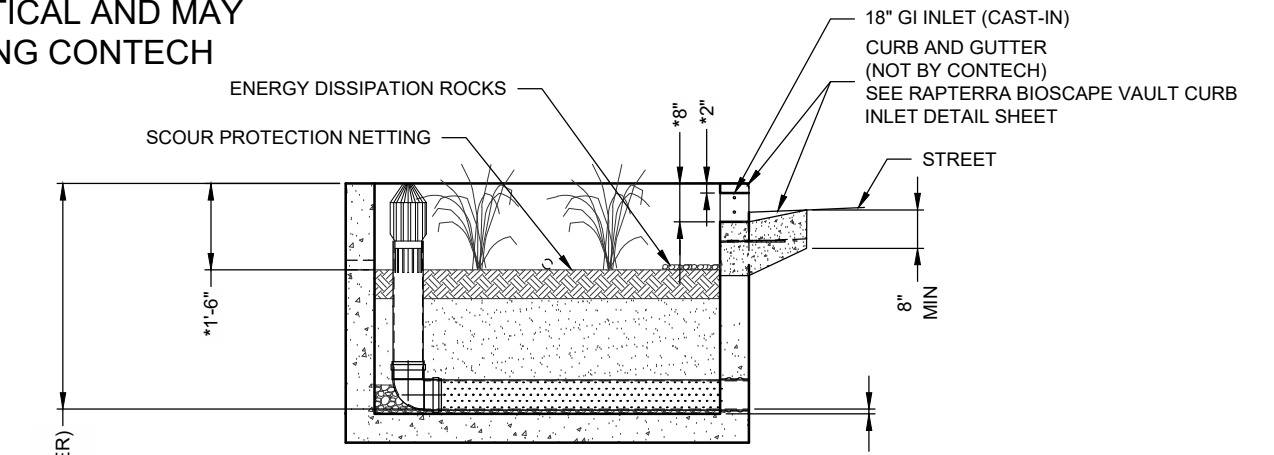


PLAN VIEW
SHORT SIDE INLET

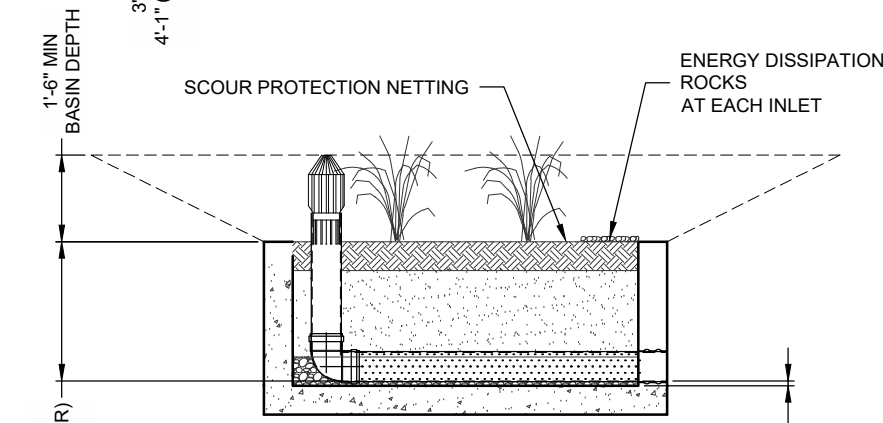
AS WITH ALL OPEN TOP BIORETENTION SYSTEMS, RAPTERRA BIOSCAPE IS OPEN TO THE ATMOSPHERE WITH A MEDIA SURFACE RECESSED BELOW FINISHED GRADE. CONTRACTOR OR OWNER IS RESPONSIBLE FOR PROVIDING ANY REQUIRED SAFETY MEASURES AROUND SYSTEM PERIMETER. TO MAINTAIN AESTHETICS, REMOVAL OF HEAVY STORMWATER DEBRIS MAY BE NECESSARY BETWEEN REGULAR RAPTERRA SYSTEM MAINTENANCE EVENTS.



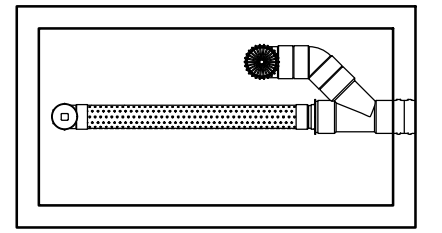
SECTION A-A1
SLOTTED THROAT INLET



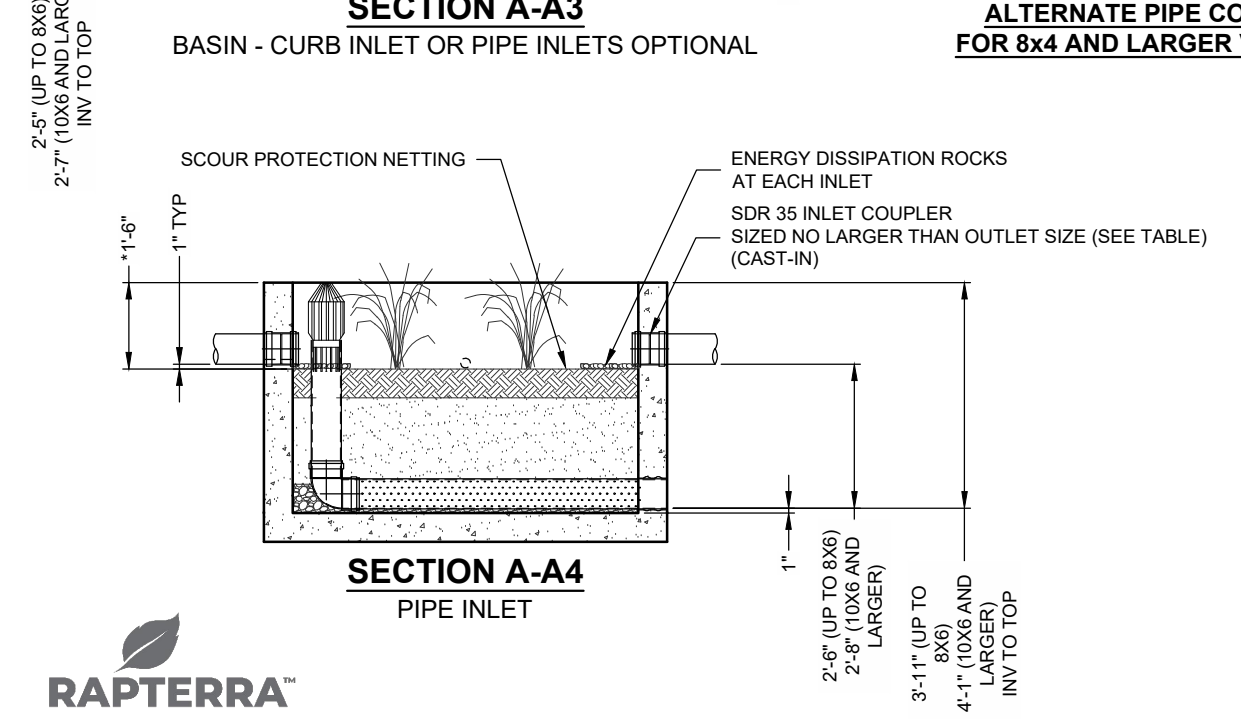
SECTION A-A2
GREEN INFRASTRUCTURE INLET - TOP FLUSH WITH TOP OF CURB, NOT INTENDED FOR SIDEWALK APPLICATIONS



SECTION A-A3
BASIN - CURB INLET OR PIPE INLETS OPTIONAL



ALTERNATE PIPE CONFIG. FOR 8x4 AND LARGER VAULTS



SECTION A-A4
PIPE INLET



RTIBSV CONFIGURATION							
(OPTIONS: BASIN "-B", GREEN INFR. INLET "-I", SLOTTED THROAT INLET "-T", PIPE INLET "-P")							
VAULT SIZE (L x W)	EFFECTIVE FILTRATION TREATMENT AREA (SF)	MTFR (cfs)	LONG SIDE THROAT OR PIPE INLET DESIG.	SHORT SIDE THROAT DESIG.	UNDERDRAIN SIZE	BYPASS OVERFLOW/OUTLET SIZE	BYPASS CAPACITY (cfs)
4x4	15.79	0.344	RTIBSV0404		6" SDR 35	6" SDR 35	0.68
6x4	23.79	0.518	RTIBSV0604	RTIBSV0406	6" SDR 35	6" SDR 35	1.03
8x4	31.40	0.684	RTIBSV0804	RTIBSV0408	6" SDR 35	8" SDR 35	1.36
7.83x4.5	34.64	0.755	RTIBSV078045	RTIBSV045078	6" SDR 35	8" SDR 35	1.50
6x6	35.40	0.771	RTIBSV0606		6" SDR 35	8" SDR 35	1.54
8x6	47.40	1.033	RTIBSV0806	RTIBSV0608	6" SDR 35	8" SDR 35	2.06
10x6	59.01	1.286	RTIBSV1006	RTIBSV0610	8" SDR 35	10" SDR 35	2.56
12x6	71.01	1.547	RTIBSV1206	RTIBSV0612	8" SDR 35	10" SDR 35	3.08
13x7	90.01	1.961	RTIBSV1307	RTIBSV0713	8" SDR 35	10" SDR 35	3.90
14x8	110.38	2.405	RTIBSV1408†	N/A	8" SDR 35	12" SDR 35	4.79
16x8	126.38	2.754	RTIBSV1608†	N/A	8" SDR 35	12" SDR 35	5.48

INTERNAL PIPE CONFIGURATION MAY VARY DEPENDING ON VAULT SIZE

† UTILIZES (2) CURB THROAT OPENINGS WITH MIN 6" SPACE FOR -T CONFIGURATION

The design and information shown on this drawing is provided as a service to the project owner, engineer and contractor by Contech Engineered Solutions LLC or one of its affiliated companies ("Contech"). Neither this drawing, nor any part thereof, may be used, reproduced or modified in any manner without the prior written consent of Contech. Failure to comply is done at the user's own risk and Contech expressly disclaims any liability or responsibility for such use. If discrepancies between the supplied information upon which the drawing is based and actual field conditions are encountered as site work progresses, these discrepancies must be reported to Contech immediately for re-evaluation of the design. Contech accepts no liability for designs based on missing, incomplete or inaccurate information supplied by others.

CONTECH
ENGINEERED SOLUTIONS
A QUIKRETE COMPANY

9100 Centre Pointe Dr., Suite 400, West Chester, OH 45069
800-338-1122 513-645-7000 513-645-7993 FAX

RAPTERRA BIOSCAPE VAULT INLINE (RTIBSV) CONFIGURATION DETAIL