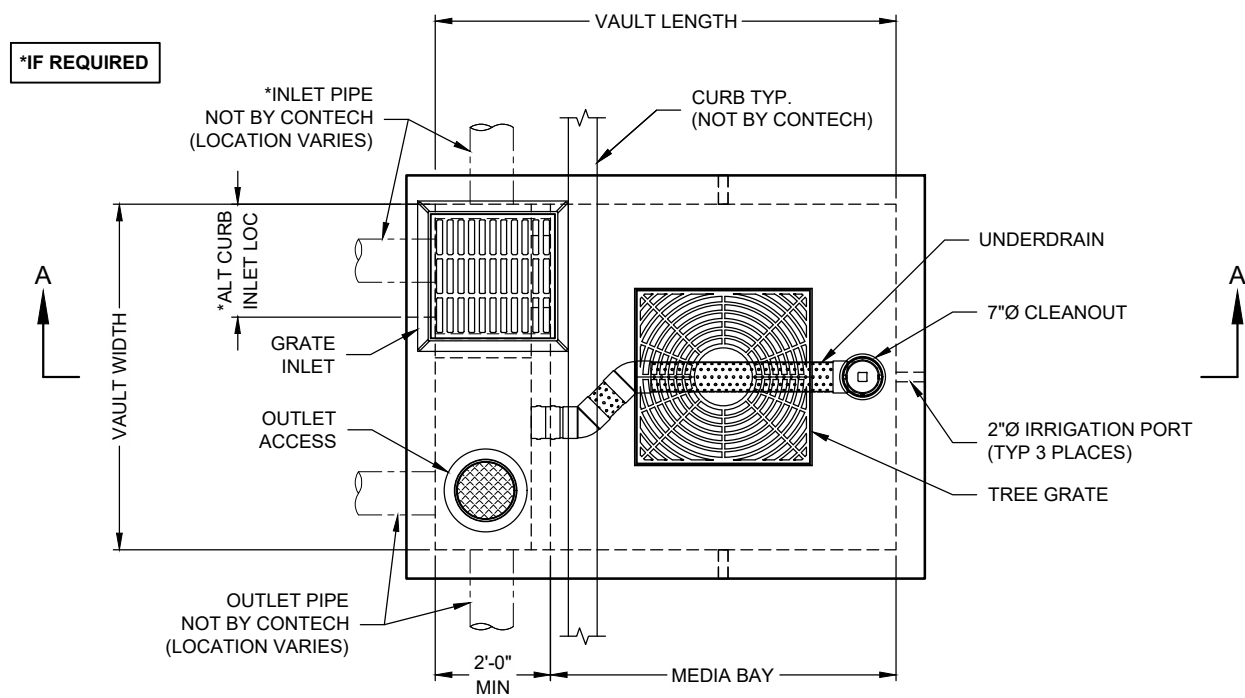
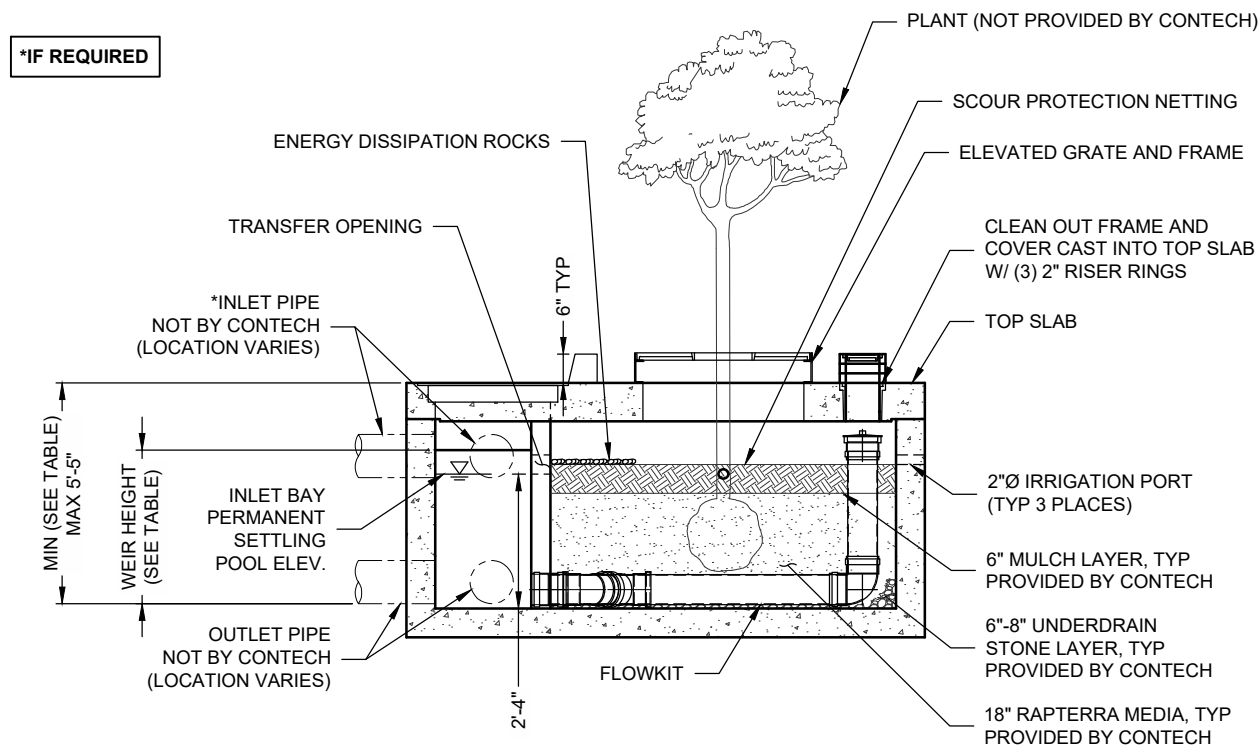


I:\QUIKRETE\COMMON\COMMONSTORMWATER TICKETS IN PROCESS\BUCHSBAUM\CREATE RAPTERRA STANDARD DETAILS\RTPD-G (NJ ONLY) - RAPTERRA PEAK DIVERSION - GRATE (RTPD-G) DTL.DWG 2/24/2026 2:23 PM



PLAN VIEW



SECTION A-A

***IF REQUIRED**

INTERNAL PIPE CONFIGURATION MAY VARY DEPENDING UPON OUTLET LOCATION AND VAULT SIZE.

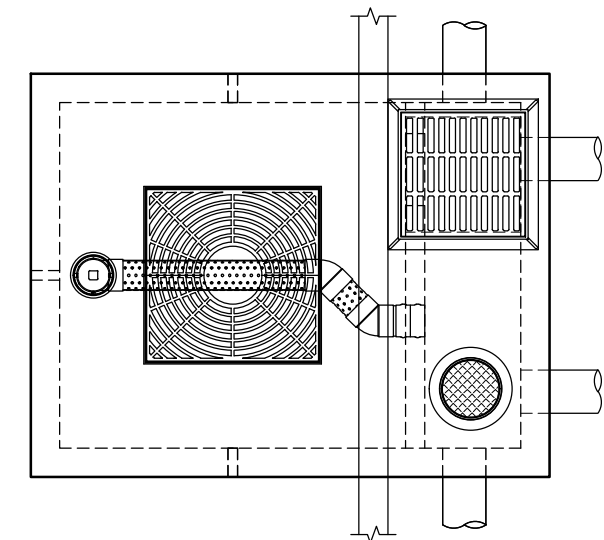
RTPD-G CONFIGURATION

(OPTIONS: GRATE INLET "-G", PIPE INLET "-P", PIPE AND GRATE INLET "-PG")

MEDIA BAY SIZE (VAULT SIZE)	EFFECTIVE FILTRATION TREATMENT AREA (SF)	MTFR (cfs)	DESIGNATION	UNDERDRAIN SIZE	MIN RIM TO OUTLET	*WEIR LENGTH / MAX CURB OPENING	WEIR HEIGHT (ABOVE OUTLET)	TRANSFER OPENING SIZE	GRATE INLET / OUTLET ACCESS DIA.	TREE GRATE QTY. & SIZE
4x4 (6x4)	15.79	0.344	RTPD0404-G	6" SDR 35	4'-1"	1'-8"	35"	4" x 15"	12" SQ / 12"	(1) 3' x 3'*
4x6 (8x4)	23.79	0.518	RTPD0406-G	6" SDR 35	4'-1"	1'-8"	35"	4" x 15"	12" SQ / 12"	(1) 3' x 3'
6x4 (6x6)	23.79	0.518	RTPD0604-G	6" SDR 35	4'-1"	1'-8"	35"	4" x 36"	24" SQ / 12"	(1) 3' x 3'*
4.5x5.83 (7.83 x 4.5)	26.02	0.567	RTPD045078-G	6" SDR 35	4'-1"	1'-8"	35"	4" x 20"	12" SQ / 12"	(1) 3' x 3'
6x6 (8x6)	35.79	0.780	RTPD0606-G	6" SDR 35	4'-1"	1'-8"	35"	4" x 36"	24" SQ / 12"	(1) 3' x 3'
6x8 (10x6)	47.79	1.041	RTPD0608-G	8" SDR 35	4'-3"	1'-8"	37"	4" x 36"	24" SQ / 12"	(1) 4' x 4'
6x10 (12x6)	59.62	1.299	RTPD0610-G	8" SDR 35	4'-3"	1'-8"	37"	4" x 36"	24" SQ / 12"	(1) 4' x 4'
7x10 (13x7)	69.62	1.517	RTPD0710-G	8" SDR 35	4'-3"	2'-6"	37"	4" x 42"	24" SQ / 24"	(1) 4' x 4'
8x10.5 (14x8)	83.62	1.822	RTPD08105-G	8" SDR 35	4'-4"	3'-0"	38"	5" x 48"	24" SQ / 24"	(1) 4' x 4'
8x12.5 (16x8)	99.62	2.171	RTPD08125-G	8" SDR 35	4'-4"	3'-0"	38"	5" x 48"	24" SQ / 24"	(2) 4' x 4'
8x14 (18x8)	111.23	2.424	RTPD0814-G	8" SDR 35	4'-5"	3'-6"	39"	6" x 48"	24" SQ / 24"	(2) 4' x 4'
8x16 (20x8)	127.23	2.772	RTPD0816-G	8" SDR 35	4'-6"	3'-6"	40"	7" x 48"	24" SQ / 24"	(2) 4' x 4'
8x18 (22x8)	143.23	3.121	RTPD0818-G	8" SDR 35	4'-6"	3'-6"	40"	7" x 48"	24" SQ / 24"	(2) 4' x 4'

*SITE SPECIFIC ANALYSIS IS REQUIRED TO DETERMINE CURB INLET AND WEIR OVERFLOW CAPACITIES.

** 3'x3' TREE GRATE ON RT0404-G AND RT0604-G UNITS IS INSTALLED OVER A SMALLER 30" x 30" MAX OPENING FOR STRUCTURAL REASONS.



ALTERNATE ORIENTATION



The design and information shown on this drawing is provided as a service to the project owner, engineer and contractor by Contech Engineered Solutions LLC or one of its affiliated companies ("Contech"). Neither this drawing, nor any part thereof, may be used, reproduced or modified in any manner without the prior written consent of Contech. Failure to comply is done at the user's own risk and Contech expressly disclaims any liability or responsibility for such use. If discrepancies between the supplied information upon which the drawing is based and actual field conditions are encountered as site work progresses, these discrepancies must be reported to Contech immediately for re-evaluation of the design. Contech accepts no liability for designs based on missing, incomplete or inaccurate information supplied by others.

CONTECH
ENGINEERED SOLUTIONS
A QUIKRETE COMPANY

9100 Centre Pointe Dr., Suite 400, West Chester, OH 45069
800-338-1122 513-645-7000 513-645-7993 FAX

RAPTERRA PEAK DIVERSION - GRATE (RTPD-G) CONFIGURATION DETAIL